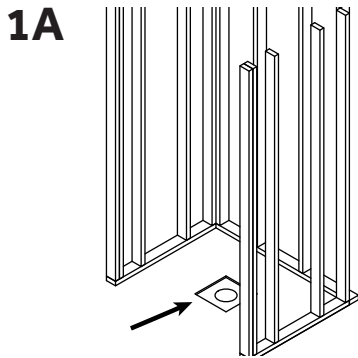
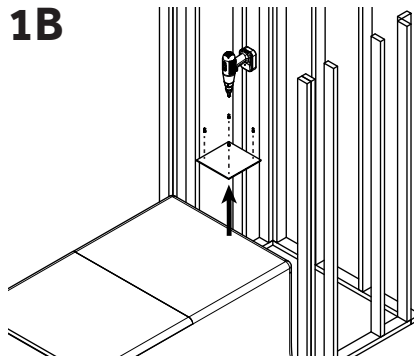


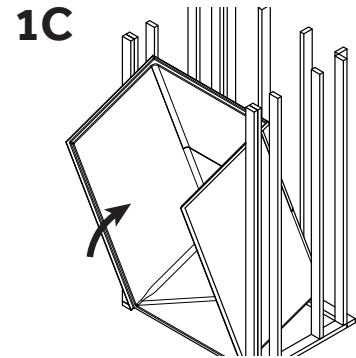
1. Dry Fit Fixture



1A
Drill a 6" diameter drain core through the subfloor centered with the fixture drain as shown in the product specification sheet. Box out a 1/2" deep, 10" x 10" square centered with the drain core.

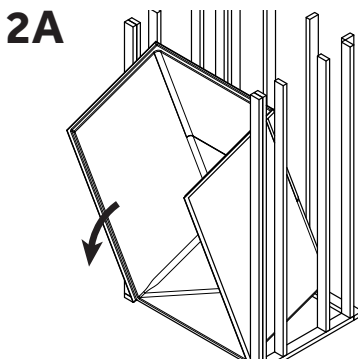


1B
Remove the 12" x 12" board used to protect the drain during storage from the back of the fixture.

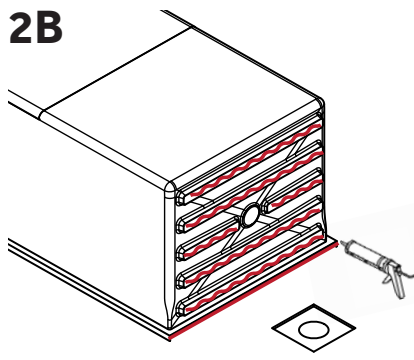


1C
Place the fixture in the framed alcove and ensure that the floor is level and that the walls are plumb. The floor must be leveled prior to installation if it is greater than 1/8" from level.

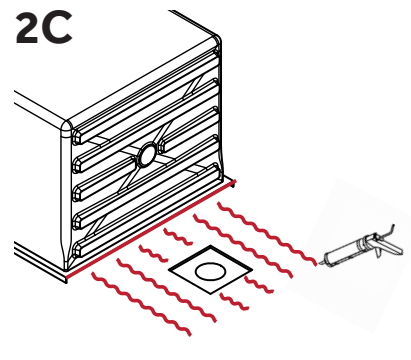
2. Apply Construction Adhesive



2A
Tilt the fixture forward so that the front flanges rest on the floor.



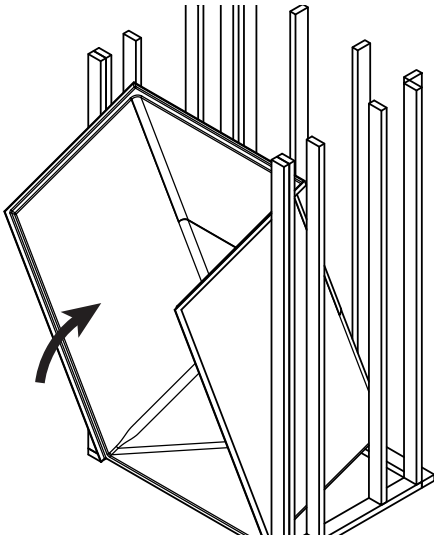
2B
Option A: Apply construction adhesive along the front threshold and along each rung of the support plate.



2C
Option B: Apply construction adhesive along the front threshold and onto the floor perpendicular to the support plate rungs. There should be approximately 3" of space between lines of adhesive.

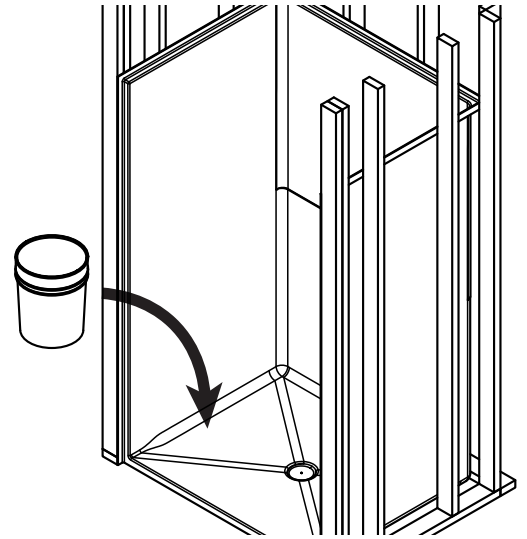
3. Place Weights

3A



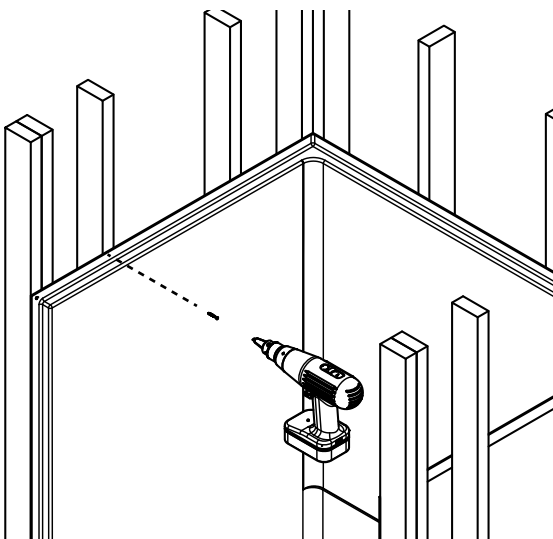
Return the fixture to the upright position, carefully ensuring that the drain fits properly in the boxed out area.

3B



Evenly distribute weights on the fixture floor for the amount of time recommended by the adhesive manufacturer. At least 120 lbs should be used for this step. This is approximately the weight of three 5-gallon buckets filled with water.

4. Secure Fixture to Studs



To secure the fixture to the stud walls, pre-drill holes every 16" along the vertical flanges and one hole per stud along the horizontal flanges. Nail or screw the fixture to the wall at each hole.

Cleaning

It is recommended that general cleaning be performed using EverFab BathBrite cleaning solution. Avoid abrasive cleaning products as they may remove the glossy finish and make subsequent cleaning difficult.

