

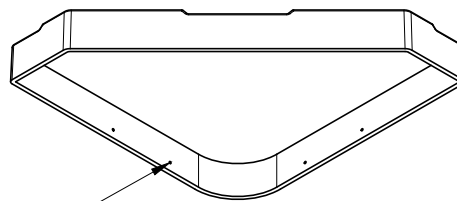
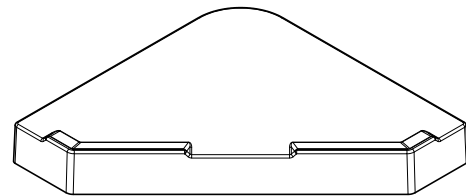
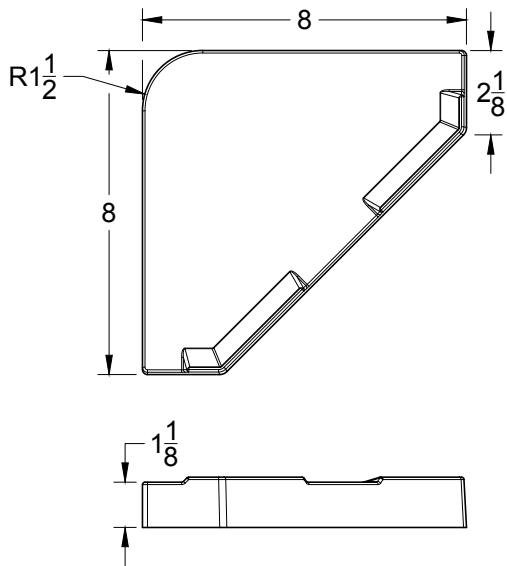
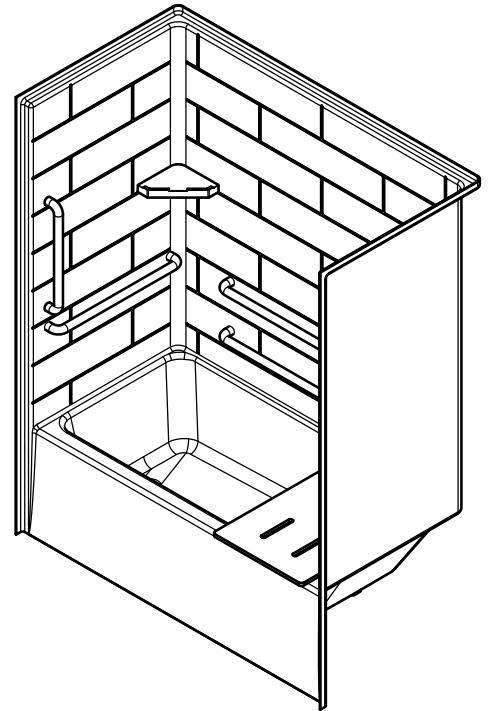
Project Name		Customer Name	
Quote Number		Date	
Customization			

Standard Features

Description	Composite corner shelf
Finish	White
Materials	Fiberglass and gel coat composite
Approximate Weight	3 lbs

Details

Composite corner shelf made of same materials as the shower. Secured using 4 screws. Can be installed in any EverFab shower.



4 screws
installed on
underside of
shelf

Model Number

EF-0000-CS



Affordable Housing
SHOWERS.com
by ORCA HealthCare

www.affordablehousingshowers.com

Quotes and inquiries:

1-888-286-8030

info@affordablehousingshowers.com