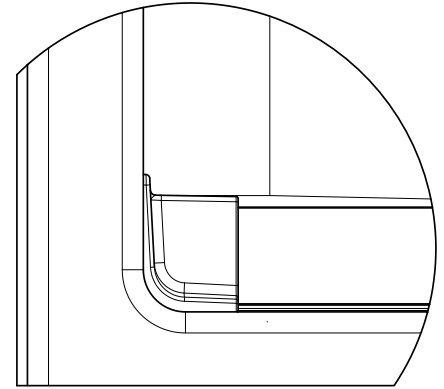


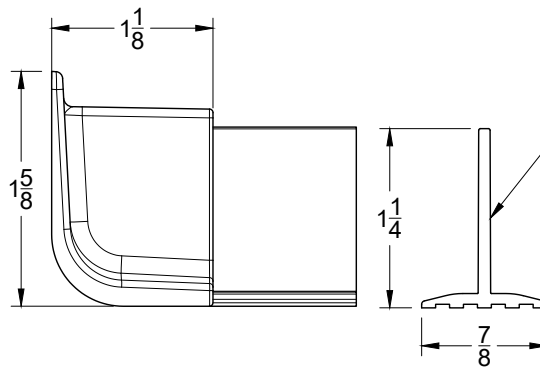
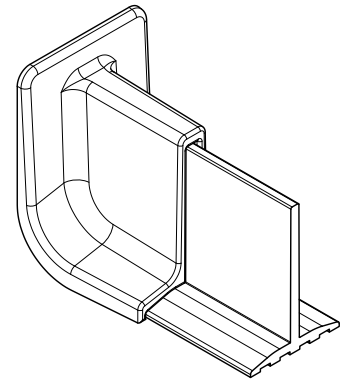
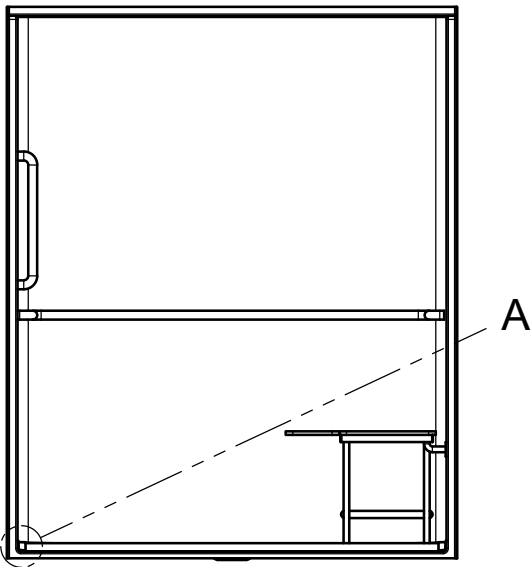
Project Name		Customer Name	
Quote Number		Date	
Customization			

Standard Features

Description	T-Shaped Rubber Shower Dam
Finish	White and Light Gray
Materials	Silicone and HDPE Plastic Endcap
Approximate Weight	2 lbs



Detail A
Scale 1:1



This portion of rubber dam will fold over under a wheelchair


Affordable Housing SHOWERS.com
 by ORCA HealthCare
www.affordablehousingshowers.com
Quotes and inquiries:
 1-888-286-8030
info@affordablehousingshowers.com

Model Number	Length	End Caps Included	Adhesive Included	Clear Silicone Included
EF-0060-ED	60"	Yes	Yes	Yes