

Project Name		Customer Name	
Quote Number		Date	
Customization			

### Standard Features

<b>Type</b>	One-piece transfer type shower stall. Available in left or right hand configuration.
<b>Color</b>	White
<b>Exterior Dimensions</b>	38"W x 38-1/2"D x 80-3/4"H
<b>Materials</b>	Gel coat and fiberglass composite
<b>Approximate Weight</b>	120 lbs

### Certifications and Accessibility Code Compliance



Universal Plumbing Code



CSA B45.5-11 / IAPMO Z124-2017



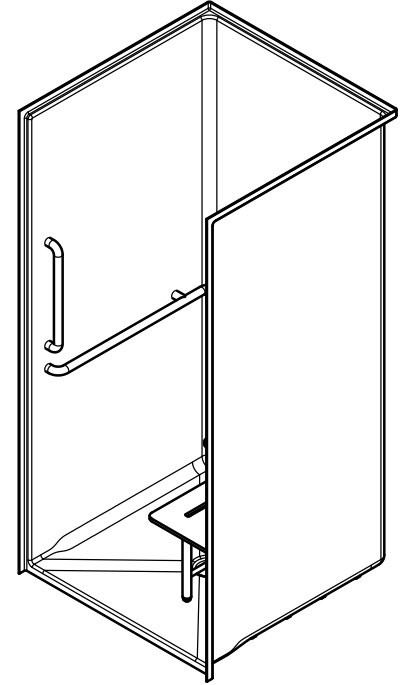
ADA

**ANSI**

ICC A117.1 - 2017 ANSI Type A



HUD / FHA

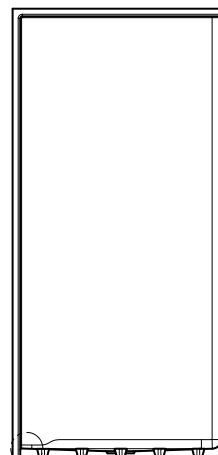
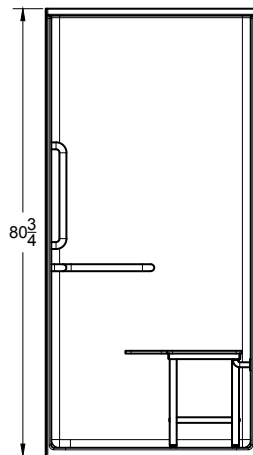
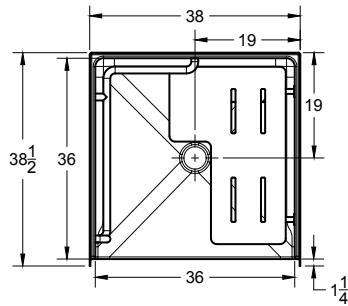


### Warranty

30 Year Limited

### Reinforcement

Fully reinforced with EverFab's unique composite core material which allows for factory or field installation of ADA compliant grab bars and seat



Threshold Detail (See Page 2)

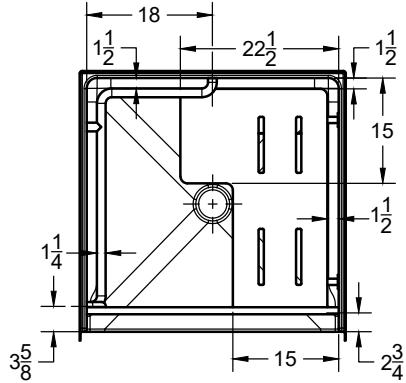
Reinforcing Bottom Plate



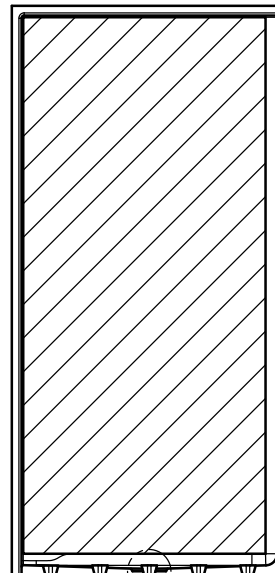
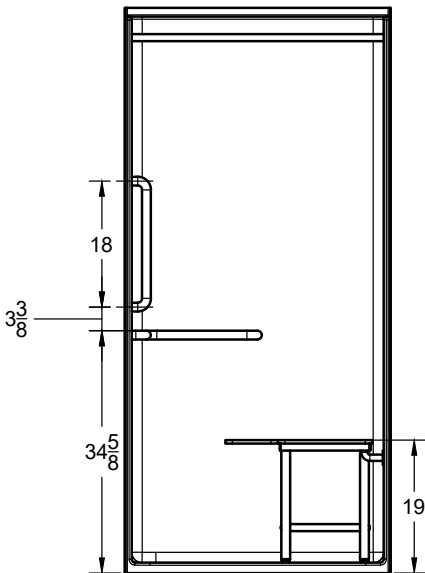
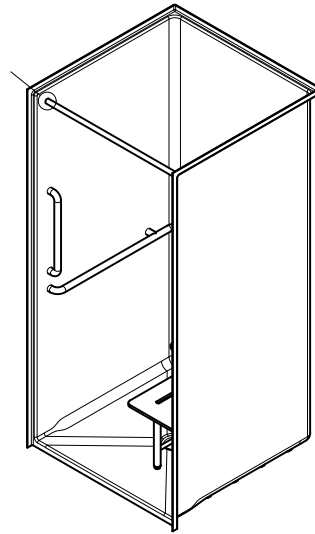
by ORCA HealthCare  
www.affordablehousingshowers.com  
Quotes and inquiries:  
1-888-286-8030

info@affordablehousingshowers.com

## ADA Accessory Dimensions

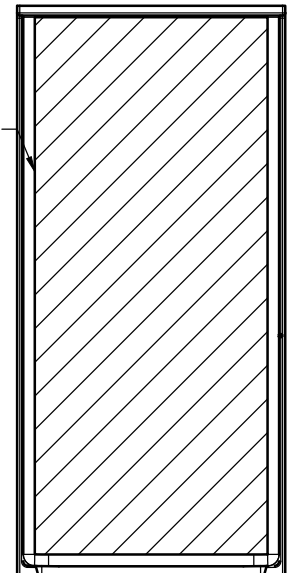


Curtain Rod Detail  
(See Submittal  
Sheet Page 3)



Drain Block Out Detail  
(See Submittal Page 3)

Fully reinforced  
with EverFab  
core material for  
factory or field  
installation of  
grab bars and  
seat

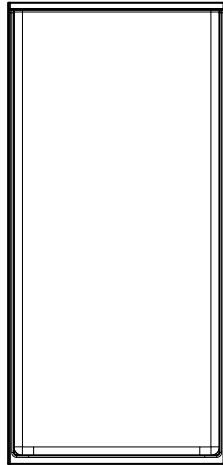


## Architectural Specifications

### A. Shower Stall:

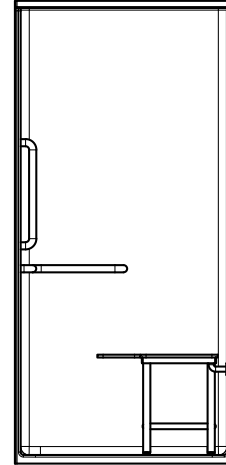
1. Model: No. S3839A-L/R
2. Description: One-piece shower stall with reinforcing bottom plate, slip-resistant floor, and inorganic composite reinforcement for placement of grab bars and seat
3. Exterior dimensions: 38 inches wide x 38-1/2 inches deep x 80-3/4 inches high
4. Rough-in: +1/8" -0" nominal dimensions
5. Threshold: [Standard] [Low Profile] Threshold Detail
6. Accessibility Accessories: [A0] [A1] [Custom] accessory configuration
7. Optional Accessories: Furnish with [curtain rod], [shower curtain], [recessed soap dish], [composite corner shelf], [shower slide-bar kit], [EverFab tub-wrap], [shower drain], [18" grab bar], [24" grab bar], [folding seat], [T-shaped EverDam]. If applicable, please indicate location of additional accessories on drawing
8. Accessory Style: [A0 - No Accessories], [Standard Thru-Bolted], [Flanged], [Elite Series], [Anti-Ligature], [Custom]
9. Accessory Finish: [A0 - No Accessories], [Standard Satin Stainless], [Matte Black], [Polished Stainless] [White], [Custom]

**ADA Accessory Configurations (number following 'A' indicates configuration)**



**S3839A0**

No Accessories



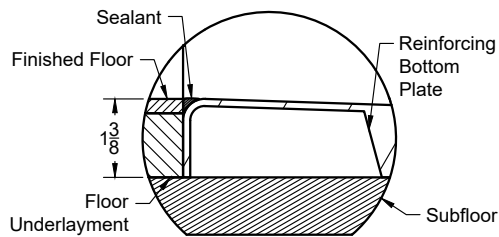
**S3839A1-R**

L-shaped grab bar

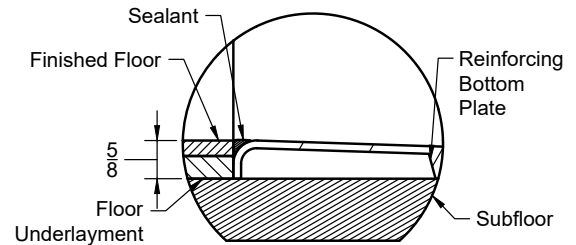
Seat

18" vertical grab bar

**Threshold Details**



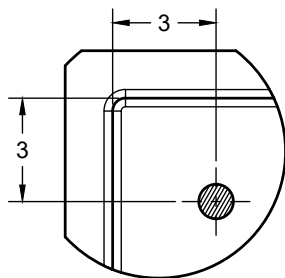
**Standard**



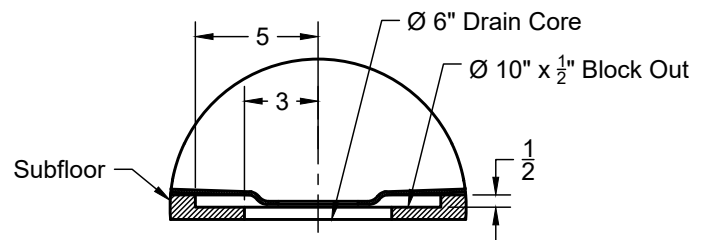
**Low-Profile**

Model number followed with 'LP'

**Additional Details**



**Standard Curtain Rod Location**



**Drain Block-Out**

### Standard Threshold Model Configurations

Model Number	Pre-Installed L-Shaped Grab Bar	Pre-Installed 18" Vertical Grab Bar	Pre-Installed Folding Seat	Drain Block Out Required	Accessibility Code Compliance
<input type="checkbox"/> S3839A0	No	No	No	No	Adaptable**
<input type="checkbox"/> S3839A1	Yes	Yes	Yes	No	ADA, ANSI A117.1, HUD/FHA

### Low Profile Threshold Model Configurations

Model Number	Pre-Installed L-Shaped Grab Bar	Pre-Installed 18" Vertical Grab Bar	Pre-Installed Folding Seat	Drain Block Out Required	Accessibility Code Compliance
<input type="checkbox"/> S3839A0LP	No	No	No	Yes	Adaptable**
<input type="checkbox"/> S3839A1LP	Yes	Yes	Yes	Yes	ADA, ANSI A117.1, HUD/FHA

\*\*Model is reinforced and capable of meeting accessibility code requirements with proper field-installation of grab bars and seat

### Seat/Flange Placement (indicated by '-L' or '-R' following model number)\*

- Left Hand  Right Hand

\*Seat placement is determined as if outside the unit looking in. For clarity, a right hand model is shown in all drawings.

### Optional/Standalone Accessories†

<input type="checkbox"/> CR3601T	Thru-bolted Curtain Rod	<input type="checkbox"/> SB1800T	18" grab bar
<input type="checkbox"/> EF-4872-SC	Shower Curtain	<input type="checkbox"/> SB2400T	24" grab bar
<input type="checkbox"/> EF-0000-SD	Recessed Soap Dish	<input type="checkbox"/> LB1833T	18"x33" L-bar
<input type="checkbox"/> EF-0000-CCS	Composite Corner Shelf	<input type="checkbox"/> LS32225	32"x22.5" Folding seat
<input type="checkbox"/> EF-0000-SK	Shower Slide-Bar Kit	<input type="checkbox"/> EF-0060-ED	T-Shaped EverDam
<input type="checkbox"/> EF-0000-DA	Shower Drain		

†If applicable, please select accessory style and finish from options below. If non-standard accessory is selected, please also indicate desired location(s) on drawing.

### Accessory Style

- Thu-bolted (Standard)  
 Flanged  
 Anti-ligature

### Accessory Finish

- Satin Stainless (Standard)  
 Matte Black  
 Polished Stainless  
 White  
 Custom, please specify:



[www.affordablehousingshowers.com](http://www.affordablehousingshowers.com)

Quotes and inquiries:

1-888-286-8030

info@affordablehousingshowers.com