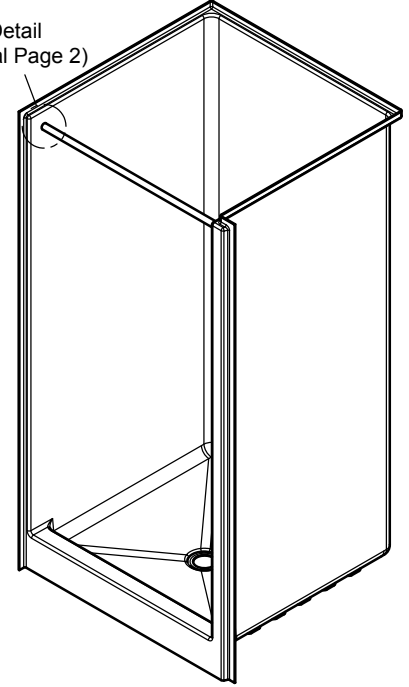


Project Name		Customer Name	
Quote Number		Date	
Customization			

Standard Features

Type	One-piece curbed shower stall. Available in left or right hand configuration.
Color	White
Exterior Dimensions	38-1/4" W x 38-1/2" D x 79-1/4" H
Materials	Gel coat and fiberglass composite
Approximate Weight	125 lbs

Curtain Rod Detail
(See Submittal Page 2)



Certifications and Accessibility Code Compliance



Uniform Plumbing Code



CSA B45.5-11 / IAPMO Z124-2017



HUD / FHA

ANSI

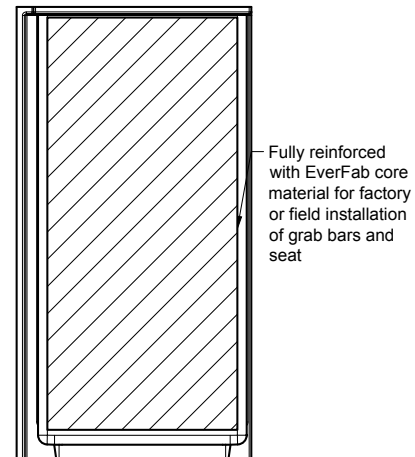
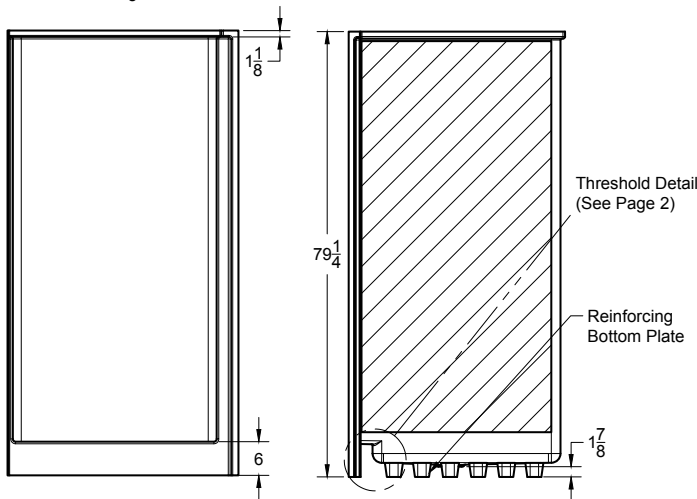
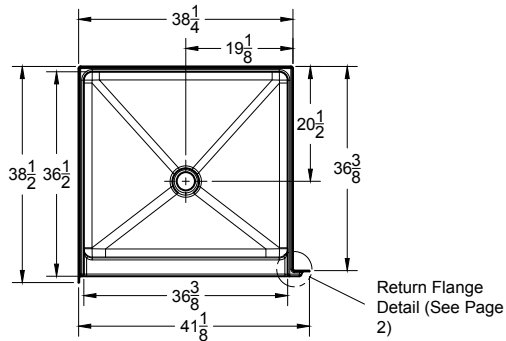
ICC A117.1 - 2017
ANSI Type B

Warranty

30 Year Limited

Reinforcement

Reinforced with EverFab's unique composite core material according to FHA and ANSI Type B Unit requirements



Affordable Housing
SHOWERS.com
by ORCA HealthCare

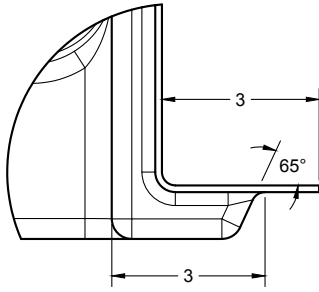
www.affordablehousingshowers.com

Quotes and inquiries:

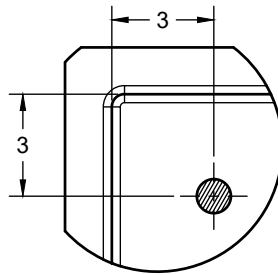
1-888-286-8030

info@affordablehousingshowers.com

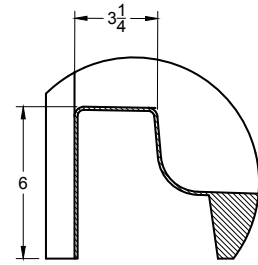
Additional Details



Return Flange



Standard Curtain Rod Location



Threshold

Architectural Specifications

A. Shower Stall:

1. Model: No. S3839RFB-L/R
2. Description: One-piece shower stall with reinforcing bottom plate, slip-resistant floor, and inorganic composite reinforcement capable of meeting FHA and ANSI Type B Unit accessibility requirements
3. Exterior dimensions: 38-1/4 inches wide x 38-1/2 inches deep x 79-1/4 inches high
4. Rough-in: +1/8" -0" nominal dimensions
5. Optional Accessories: Furnish with [curtain rod], [shower curtain], [recessed soap dish], [composite corner shelf], [shower slide-bar kit], [EverFab tub-wrap], [shower drain], [18" grab bar], [24" grab bar], [folding seat]. If applicable, please indicate location of additional accessories on drawing
6. Accessory Style: [No Accessories], [Standard Thru-Bolted], [Flanged], [Elite Series], [Anti-Ligature], [Custom]
7. Accessory Finish: [No Accessories], [Standard Satin Stainless], [Matte Black], [Polished Stainless] [White], [Custom]

Flange Placement (indicated by '-L' or '-R' following model number)*

Left Hand

Right Hand

*Flange placement is determined as if outside the unit looking in. For clarity, a right hand model is shown in all drawings

Optional/Standalone Accessories†

<input type="checkbox"/> CR3601T	Thru-bolted Curtain Rod	<input type="checkbox"/> SB1800T	18" grab bar
<input type="checkbox"/> EF-4872-SC	Shower Curtain	<input type="checkbox"/> SB2400T	24" grab bar
<input type="checkbox"/> EF-0000-SD	Recessed Soap Dish		
<input type="checkbox"/> EF-0000-CCS	Composite Corner Shelf		
<input type="checkbox"/> EF-0000-SK	Shower Slide-Bar Kit		
<input type="checkbox"/> EF-0000-DA	Shower Drain		

†If applicable, please select accessory style and finish from options below. If non-standard accessory is selected, please also indicate desired location(s) on drawing.

Accessory Style

- Thru-bolted (Standard)
 Flanged
 Anti-ligature



Affordable Housing
SHOWERS.com
by ORCA HealthCare

www.affordablehousingshowers.com

Quotes and inquiries:

1-888-286-8030

info@affordablehousingshowers.com

Accessory Finish

- Satin Stainless (Standard)
 Matte Black
 Polished Stainless
 White
 Custom, please specify: