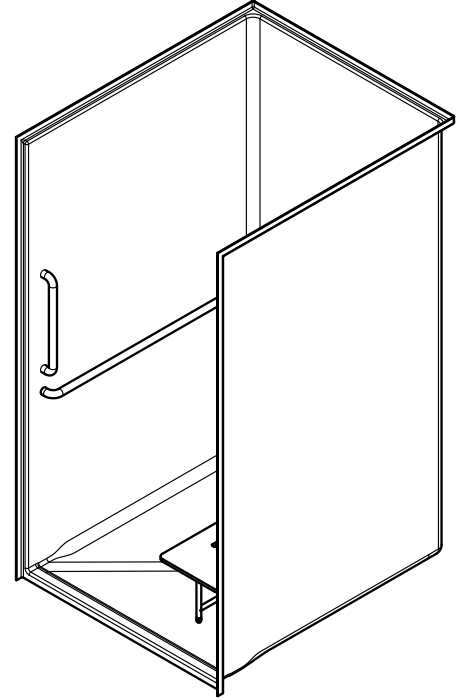


Project Name		Customer Name	
Quote Number		Date	
Customization			

### Standard Features

<b>Type</b>	One-piece roll-in type shower stall. Available in left or right hand configuration.
<b>Color</b>	White
<b>Exterior Dimensions</b>	44-1/4"W x 52"D x 84"H
<b>Materials</b>	Gel coat and fiberglass composite
<b>Approximate Weight</b>	165 lbs



### Certifications and Accessibility Code Compliance



Uniform Plumbing Code



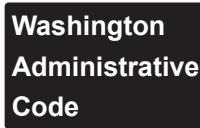
CSA B45.5-11 / IAPMO Z124-2017



CA Title 24 Chapter 11A



HUD / FHA



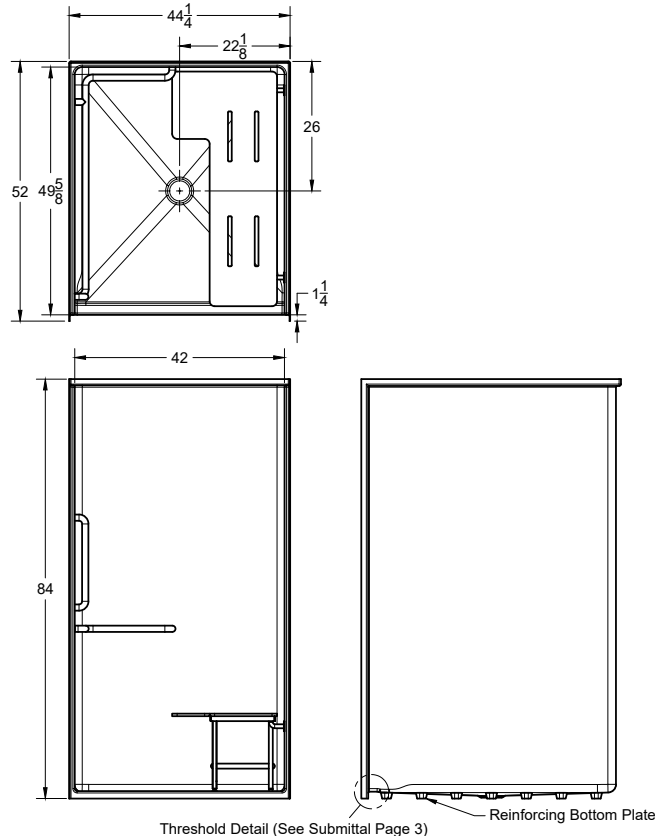
WAC 388-78A-3030

### Warranty

30 Year Limited

### Reinforcement

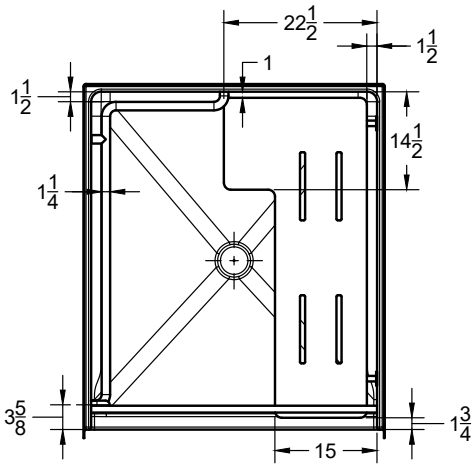
Fully reinforced with EverFab's unique composite core material which allows for factory or field installation of California Title 24 compliant grab bars and seat



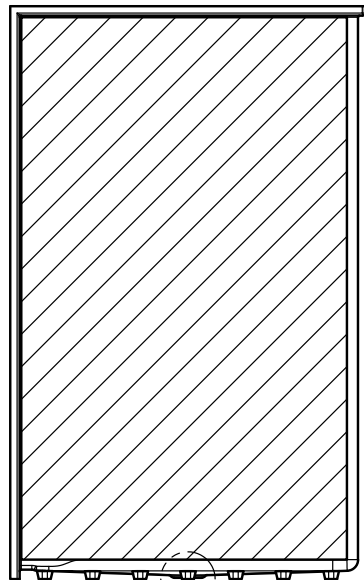
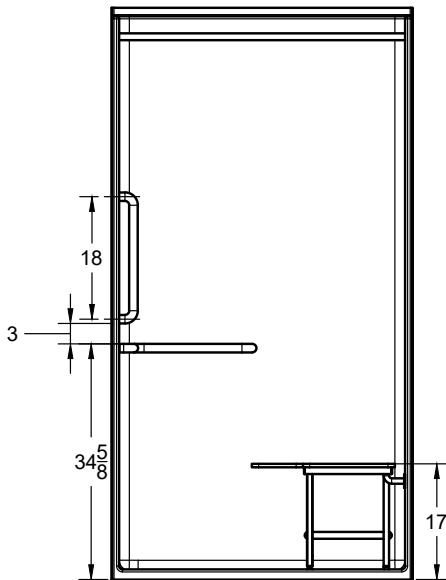
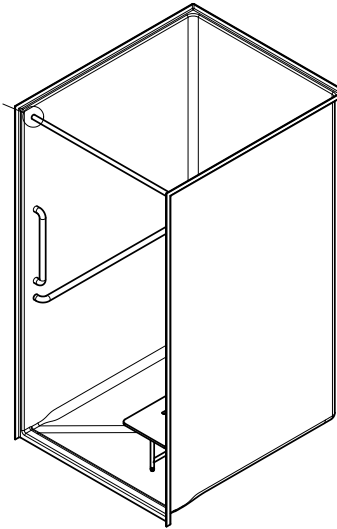
**Affordable Housing SHOWERS.com**  
by ORCA HealthCare  
[www.affordablehousingshowers.com](http://www.affordablehousingshowers.com)  
**Quotes and inquiries:**  
1-888-286-8030  
[info@affordablehousingshowers.com](mailto:info@affordablehousingshowers.com)

Due to the nature of the material, all measurements may vary by  $\pm 3/8"$ .  
Dimensions needed for site preparation should be measured from the unit.

## ADA Accessory Dimensions

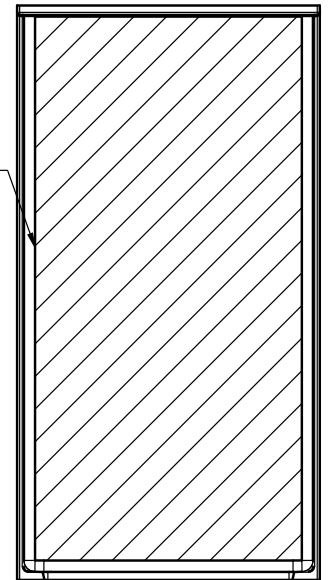


Curtain Rod Detail  
(See Submittal  
Page 3)



Drain Block Out  
Detail (See  
Submittal Page 3)

Fully reinforced  
with EverFab  
core material  
for factory or  
field installation  
of grab bars  
and seat

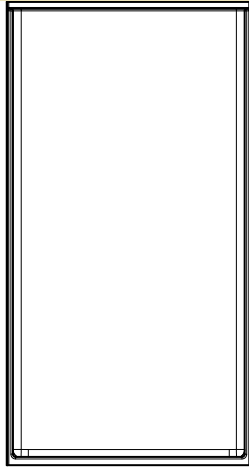


## Architectural Specifications

### A. Shower Stall:

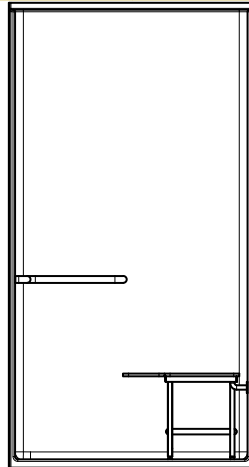
1. Model: No. S4452A-L/R
2. Description: One-piece California Title 24 compliant roll-in shower stall with reinforcing bottom plate, slip-resistant floor, and inorganic composite reinforcement for placement of grab bars and seat
3. Exterior dimensions: 44-1/4 inches wide x 52 inches deep x 84 inches high
4. Rough-in: +1/8" -0" nominal dimensions
5. Threshold: [Standard] [Low Profile] Threshold Detail
6. Accessory Configurations: [A0] [A1] [A3] accessory configuration
7. Optional Accessories: Furnish with [curtain rod], [shower curtain], [recessed soap dish], [composite corner shelf], [shower slide-bar kit], [shower drain], [18" grab bar], [24" grab bar], [folding seat], [T-shaped EverDam]. If applicable, please indicate location of additional accessories on drawing
8. Accessory Style: [A0 - No Accessories], [Standard Thru-Bolted], [Flanged], [Anti-Ligature], [Custom]
9. Accessory Finish: [A0 - No Accessories], [Standard Satin Stainless], [Matte Black], [Polished Stainless] [White], [Custom]

**ADA Accessory Configurations (number following 'A' indicates configuration)**



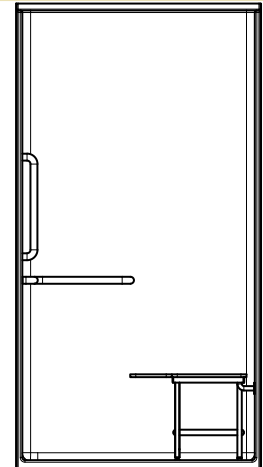
**S4452A0**

No Accessories



**S4452A1-R**

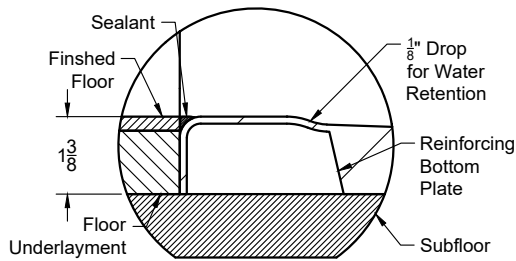
L-shaped grab bar  
Seat



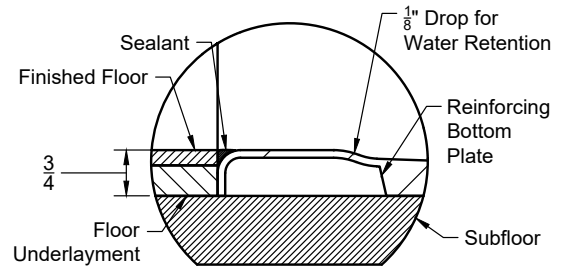
**S4452A3-R**

L-shaped grab bar  
Seat  
18" vertical grab bar

**Threshold Details**



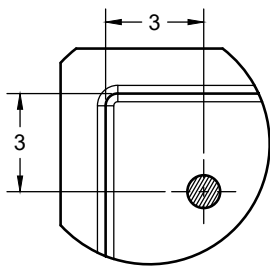
**Standard**



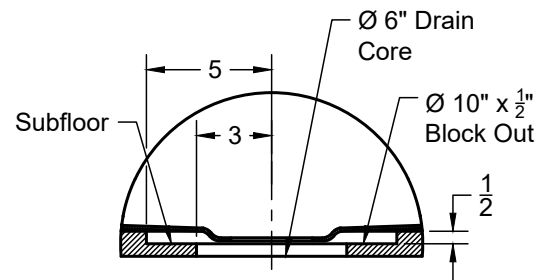
**Low-Profile**

Model number followed with 'LP'

**Additional Details**



**Standard Curtain Rod Location**



**Drain Block-Out**

### Standard Threshold Model Configurations

Model Number	Pre-Installed L-Shaped Grab Bar	Pre-Installed 18" Vertical Grab Bar	Pre-Installed Folding Seat	Drain Block Out Required	Accessibility Code Compliance
<input type="checkbox"/> S4452A0	No	No	No	No	Adaptable**
<input type="checkbox"/> S4452A1	Yes	No	Yes	No	CA Title 24, HUD/FHA, WAC
<input type="checkbox"/> S4452A3	Yes	Yes	Yes	Yes	CA Title 24, HUD/FHA, WAC

### Low Profile Threshold Model Configurations

Model Number	Pre-Installed L-Shaped Grab Bar	Pre-Installed 18" Vertical Grab Bar	Pre-Installed Folding Seat	Drain Block Out Required	Accessibility Code Compliance
<input type="checkbox"/> S4452A0LP	No	No	No	Yes	Adaptable**
<input type="checkbox"/> S4452A1LP	Yes	No	Yes	Yes	CA Title 24, HUD/FHA, WAC
<input type="checkbox"/> S4452A3LP	Yes	Yes	Yes	Yes	CA Title 24, HUD/FHA, WAC

\*\*Model is reinforced and capable of meeting accessibility code requirements with proper field-installation of grab bars and seat

### Seat Placement (indicated by '-L' or '-R' following model number)\*

- Left Hand  Right Hand

\*Seat placement is determined as if outside the unit looking in. For clarity, a right hand model is shown in all drawings.

### Optional/Standalone Accessories†

<input type="checkbox"/> CR4237501T	Thru-bolted Curtain Rod	<input type="checkbox"/> SB1800T	18" grab bar
<input type="checkbox"/> EF-4872-SC	Shower Curtain	<input type="checkbox"/> SB2400T	24" grab bar
<input type="checkbox"/> EF-0000-SD	Recessed Soap Dish	<input type="checkbox"/> LB19546T	19.5"x46" L-bar
<input type="checkbox"/> EF-0000-CCS	Composite Corner Shelf	<input type="checkbox"/> LS47225	47"x22.5" Folding seat
<input type="checkbox"/> EF-0000-SK	Shower Slide-Bar Kit	<input type="checkbox"/> EF-0060-ED	T-Shaped EverDam
<input type="checkbox"/> EF-0000-DA	Shower Drain		

†If applicable, please select accessory style and finish from options below. If non-standard accessory is selected, please also indicate desired location(s) on drawing.

### Accessory Style

- Thru-bolted (Standard)  
 Flanged  
 Anti-ligature

### Accessory Finish

- Satin Stainless (Standard)  
 Matte Black  
 Polished Stainless  
 White  
 Custom, please specify:



Affordable Housing  
**SHOWERS.com**  
 by ORCA HealthCare

[www.affordablehousingshowers.com](http://www.affordablehousingshowers.com)

Quotes and inquiries:

1-888-286-8030

info@affordablehousingshowers.com