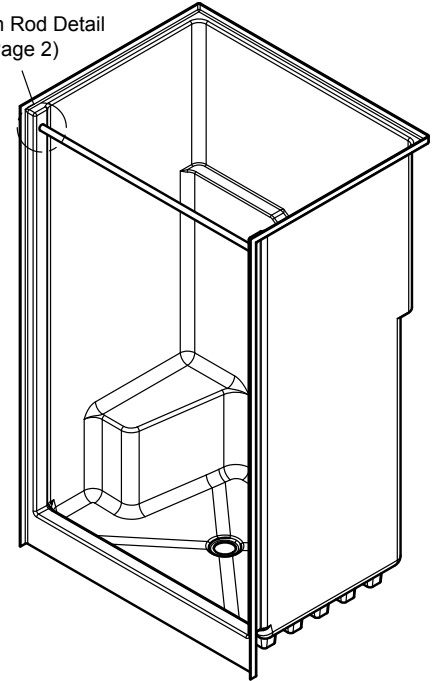


Project Name		Customer Name	
Quote Number		Date	
Customization			

Standard Features

Description	One-piece curbed shower stall. Available in left or right hand configuration.
Color	White
Exterior Dimensions	48"W x 37-1/4"D x 79-1/4"H
Materials	Gel coat and fiberglass composite
Approximate Weight	120 lbs

Curtain Rod Detail
(See Page 2)



Certifications and Accessibility Code Compliance



Uniform Plumbing Code

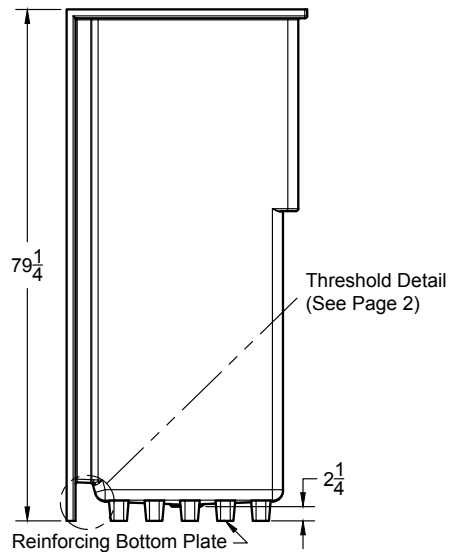
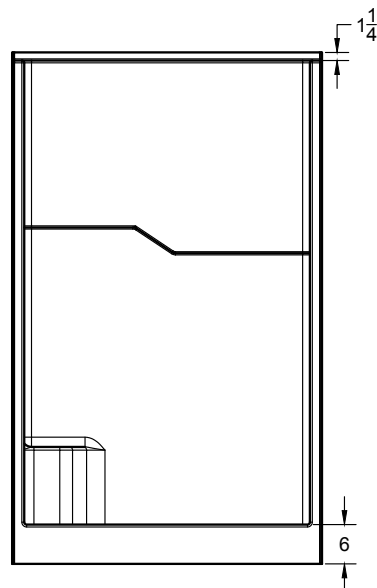
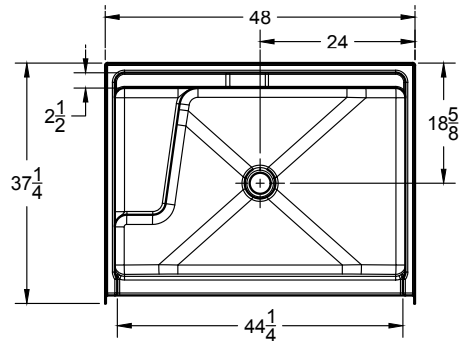


CSA B45.5-11 / IAPMO Z124-2017



Warranty

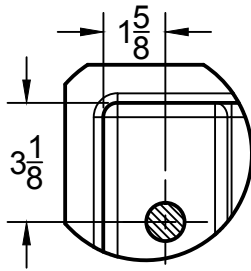
30 Year Limited



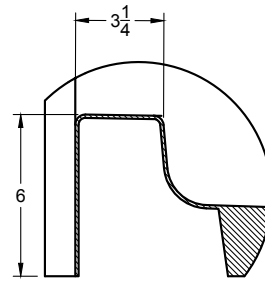
Affordable Housing SHOWERS.com
by ORCA HealthCare
www.affordablehousingshowers.com
Quotes and inquiries:
1-888-286-8030
info@affordablehousingshowers.com

Due to the nature of the material, all measurements may vary by $\pm 3/8"$.
Dimensions needed for site preparation should be measured from the unit.

Additional Details



Standard Curtain Rod Location



Threshold

Architectural Specifications

A. Shower Stall:

1. Model: No. S4837
2. Description: One-piece shower stall with reinforcing bottom plate and slip-resistant floor
3. Exterior dimensions: 48 inches wide x 37-1/4 inches deep x 79-1/4 inches high
4. Rough-in: +1/8" -0" nominal dimensions
5. Optional Accessories: Furnish with [curtain rod], [shower curtain], [recessed soap dish], [composite corner shelf], [shower slide-bar kit], [EverFab tub-wrap], [shower drain], [18" grab bar], [24" grab bar]. If applicable, please indicate location of additional accessories on drawing
6. Accessory Style: [Standard Thru-Bolted], [Flanged], [Elite Series], [Anti-Ligature], [Custom]
7. Accessory Finish: [Standard Satin Stainless], [Matte Black], [Polished Stainless] [White], [Custom]

Seat Placement (indicated by '-L' or '-R' following model number)*

Left Hand

Right Hand

**Seat placement is determined as if outside the unit looking in*

Optional/Standalone Accessories†

<input type="checkbox"/> CR442501T	Thru-bolted Curtain Rod	<input type="checkbox"/> SB1800T	18" grab bar
<input type="checkbox"/> EF-7272-SC	Shower Curtain	<input type="checkbox"/> SB2400T	24" grab bar
<input type="checkbox"/> EF-0000-SD	Recessed Soap Dish		
<input type="checkbox"/> EF-0000-CCS	Composite Corner Shelf		
<input type="checkbox"/> EF-0000-SK	Shower Slide-Bar Kit		
<input type="checkbox"/> EF-0000-DA	Shower Drain		

†If applicable, please select accessory style and finish from options below. If non-standard accessory is selected, please also indicate desired location(s) on drawing.

Accessory Style

- Thru-bolted (Standard)
- Flanged
- Anti-ligature

Accessory Finish

- Satin Stainless (Standard)
- Matte Black
- Polished Stainless
- White
- Custom, please specify:



Affordable Housing
SHOWERS.com
by ORCA HealthCare

www.affordablehousingshowers.com

Quotes and inquiries:

1-888-286-8030

info@affordablehousingshowers.com

*Due to the nature of the material, all measurements may vary by ± 3/8".
Dimensions needed for site preparation should be measured from the unit.*