

Project Name		Customer Name	
Quote Number		Date	
Customization			

Standard Features

Type	One-piece roll-in type shower stall. Available in left or right hand configuration.
Color	White
Exterior Dimensions	48"W x 38-3/4"D x 79-1/4"H
Materials	Gel coat and fiberglass composite
Approximate Weight	135 lbs

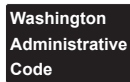
Certifications and Accessibility Code Compliance



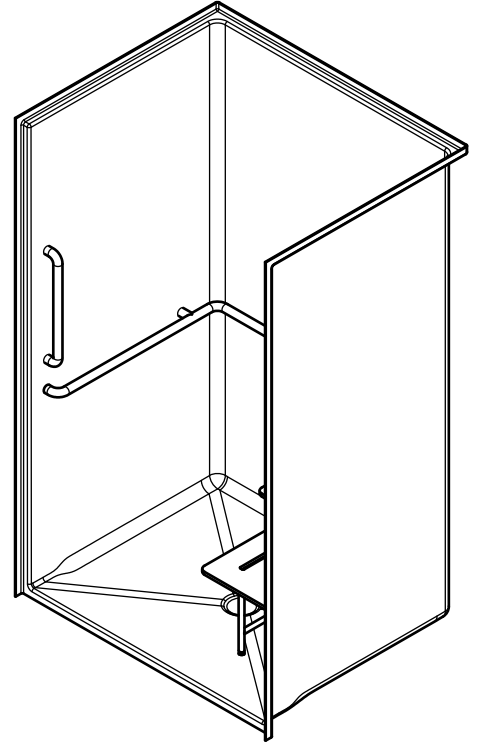
Uniform Plumbing Code



CSA B45.5-11 / IAPMO Z124-2017



WAC 388-78A-3030

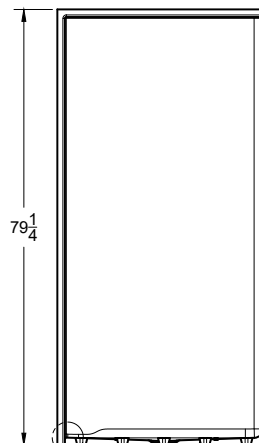
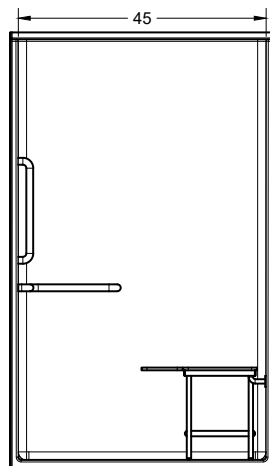
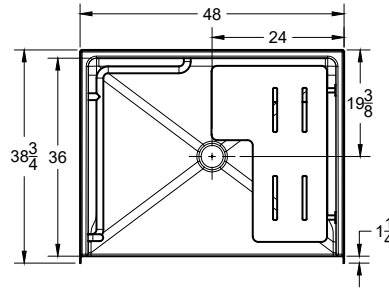


Warranty

30 Year Limited

Reinforcement

Fully reinforced with EverFab's unique composite core material which allows for factory or field installation of ADA/WAC compliant grab bars and seat



Threshold Detail (See Submittal Page 3)

Reinforcing Bottom Plate



Affordable Housing
SHOWERS.com
by ORCA HealthCare

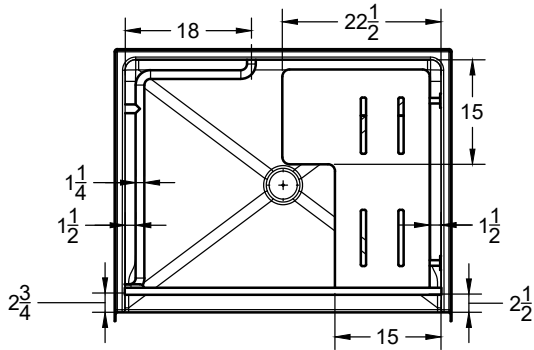
www.affordablehousingshowers.com

Quotes and inquiries:

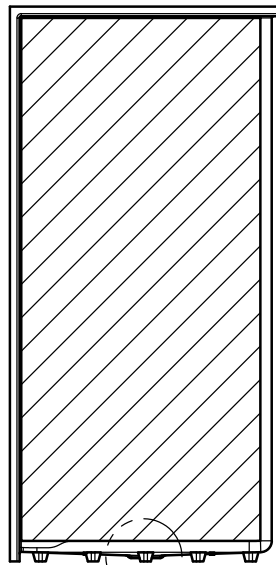
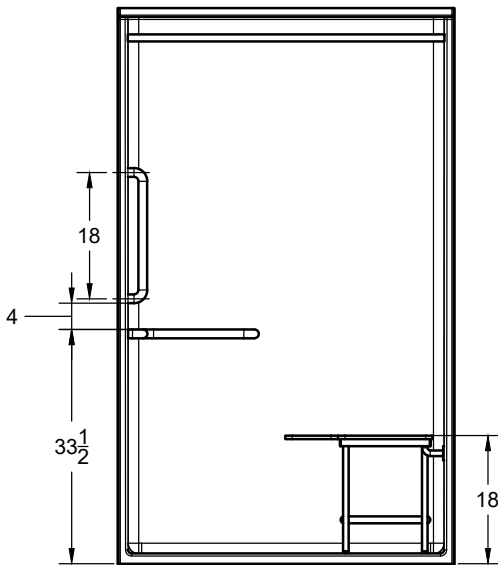
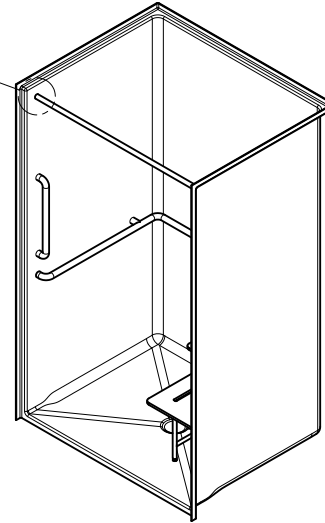
1-888-286-8030

info@affordablehousingshowers.com

ADA Accessory Dimensions

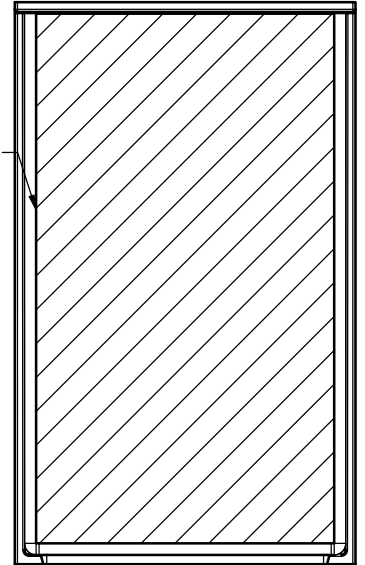


Curtain Rod Detail
(See Submittal Page 3)



Threshold Detail
(See Submittal Page 3)

Fully reinforced
with EverFab
core material
for factory or
field installation
of grab bars
and seat

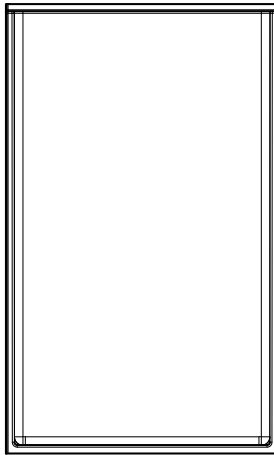


Architectural Specifications

A. Shower Stall:

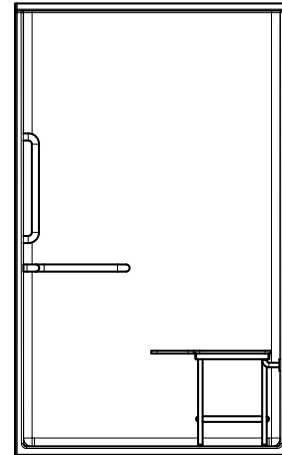
1. Model: No. S4839A-L/R
2. Description: One-piece shower stall with reinforcing bottom plate, slip-resistant floor, and inorganic composite reinforcement for placement of grab bars and seat
3. Exterior dimensions: 48 inches wide x 38-3/4 inches deep x 79-1/4 inches high
4. Rough-in: +1/8" -0" nominal dimensions
5. Threshold: [Standard] [Low Profile] Threshold Detail
6. Accessibility Accessories: [A0] [A1] [Custom] accessory configuration
7. Optional Accessories: Furnish with [curtain rod], [shower curtain], [recessed soap dish], [composite corner shelf], [shower slide-bar kit], [EverFab tub-wrap], [shower drain], [18" grab bar], [24" grab bar], [custom grab bar], [folding seat], [T-shaped EverDam]. If applicable, please indicate location of additional accessories on drawing
8. Accessory Style: [A0 - No Accessories], [Standard Thru-Bolted], [Flanged], [Elite Series], [Anti-Ligature], [Custom]
9. Accessory Finish: [A0 - No Accessories], [Standard Satin Stainless], [Matte Black], [Polished Stainless] [White], [Custom]

ADA Accessory Configurations (number following 'A' indicates configuration)



S4839A0

No Accessories



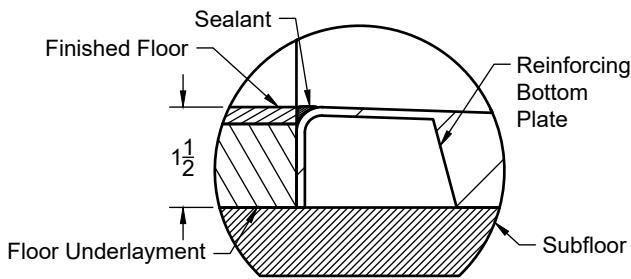
S4839A1-R

L-shaped grab bar

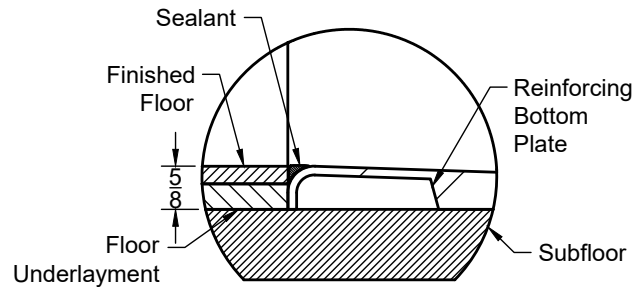
Seat

18" vertical grab bar

Threshold Details



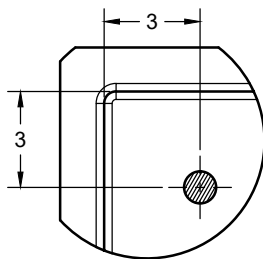
Standard



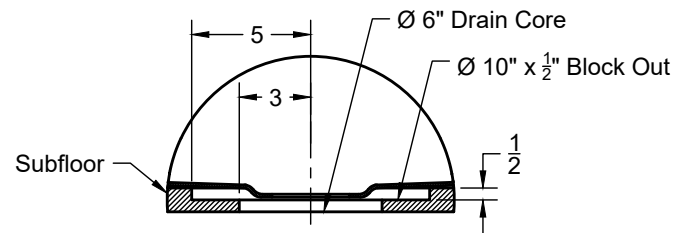
Low-Profile

Model number followed with 'LP'

Additional Details



Standard Curtain Rod Location



Drain Block-Out

Standard Threshold Model Configurations

Model Number	Pre-Installed L-Shaped Grab Bar	Pre-Installed 18" Vertical Grab Bar	Pre-Installed Folding Seat	Drain Block Out Required	Accessibility Code Compliance
<input type="checkbox"/> S4839A0	No	No	No	No	Adaptable**
<input type="checkbox"/> S4839A1	Yes	Yes	Yes	No	ADA, ANSI A117.1, WAC

Low Profile Threshold Model Configurations

Model Number	Pre-Installed L-Shaped Grab Bar	Pre-Installed 18" Vertical Grab Bar	Pre-Installed Folding Seat	Drain Block Out Required	Accessibility Code Compliance
<input type="checkbox"/> S4839A0LP	No	No	No	Yes	Adaptable**
<input type="checkbox"/> S4839A1LP	Yes	Yes	Yes	Yes	ADA, ANSI A117.1, WAC

**Model is reinforced and capable of meeting accessibility code requirements with proper field-installation of grab bars and seat

Seat/Flange Placement (indicated by '-L' or '-R' following model number)*

- Left Hand Right Hand

*Seat placement is determined as if outside the unit looking in. For clarity, a right hand model is shown in all drawings.

Optional/Standalone Accessories†

<input type="checkbox"/> CR4501T	Thru-bolted Curtain Rod	<input type="checkbox"/> SB1800T	18" grab bar
<input type="checkbox"/> EF-4872-SC	Shower Curtain	<input type="checkbox"/> SB2400T	24" grab bar
<input type="checkbox"/> EF-0000-SD	Recessed Soap Dish	<input type="checkbox"/> LB1833T	30"x37.5" L-bar
<input type="checkbox"/> EF-0000-CCS	Composite Corner Shelf	<input type="checkbox"/> LS32225	32"x22.5" Folding seat
<input type="checkbox"/> EF-0000-SK	Shower Slide-Bar Kit	<input type="checkbox"/> EF-0060-ED	T-Shaped EverDam
<input type="checkbox"/> EF-0000-DA	Shower Drain		

†If applicable, please select accessory style and finish from options below. If non-standard accessory is selected, please also indicate desired location(s) on drawing.

Accessory Style

- Thu-bolted (Standard)
 Flanged
 Anti-ligature

Accessory Finish

- Satin Stainless (Standard)
 Matte Black
 Polished Stainless
 White
 Custom, please specify:



Affordable Housing
SHOWERS.com
 by ORCA HealthCare

www.affordablehousingshowers.com

Quotes and inquiries:

1-888-286-8030

info@affordablehousingshowers.com