

Project Name		Customer Name	
Quote Number		Date	
Customization			

## Standard Features

<b>Description</b>	One-piece curbed shower stall
<b>Color</b>	White
<b>Exterior Dimensions</b>	60"W x 37-1/4"D x 79-1/4"H
<b>Materials</b>	Gel coat and fiberglass composite
<b>Approximate Weight</b>	140 lbs

## Certifications and Accessibility Code Compliance



Uniform Plumbing Code



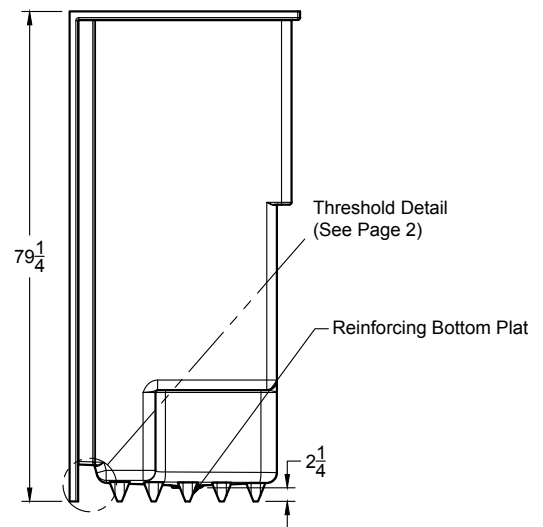
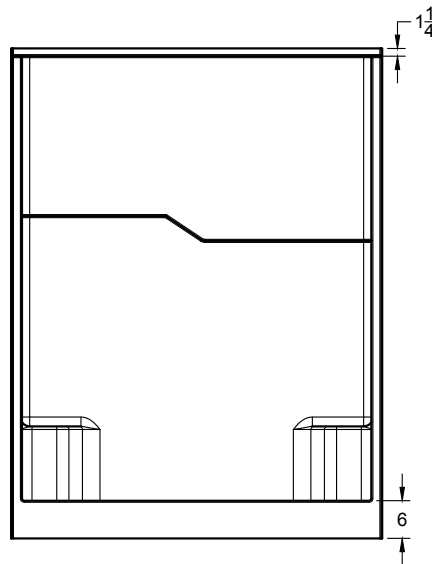
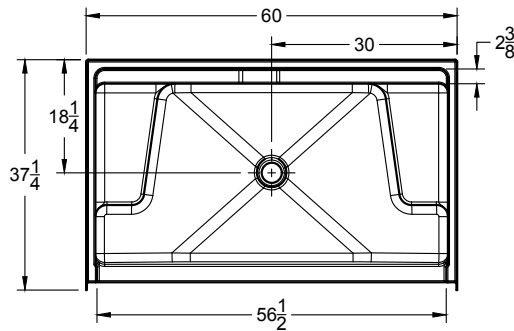
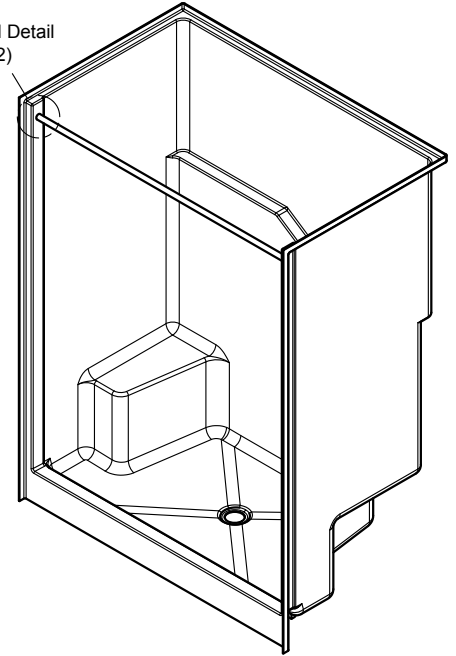
CSA B45.5-11 / IAPMO Z124-2017



## Warranty

30 Year Limited

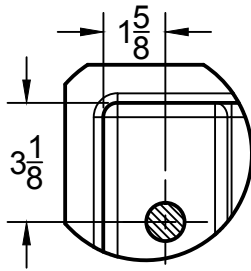
Curtain Rod Detail  
(See Page 2)



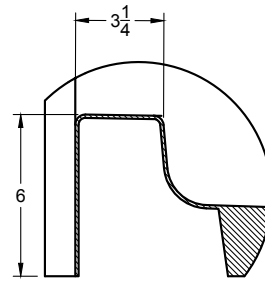
**Affordable Housing SHOWERS.com**  
by ORCA HealthCare  
[www.affordablehousingshowers.com](http://www.affordablehousingshowers.com)  
Quotes and inquiries:  
1-888-286-8030  
[info@affordablehousingshowers.com](mailto:info@affordablehousingshowers.com)

Due to the nature of the material, all measurements may vary by  $\pm 3/8"$ .  
Dimensions needed for site preparation should be measured from the unit.

## Additional Details



Standard Curtain Rod Location



Threshold

## Architectural Specifications

### A. Shower Stall:

1. Model: No. S6037
2. Description: One-piece shower stall with reinforcing bottom plate, soap ledge, molded seats, and slip-resistant floor
3. Exterior dimensions: 60 inches wide x 37-1/4 inches deep x 79-1/4 inches high
4. Rough-in: +1/8" -0" nominal dimensions
5. Optional Accessories: Furnish with [curtain rod], [shower curtain], [recessed soap dish], [composite corner shelf], [shower slide-bar kit], [EverFab tub-wrap], [shower drain], [18" grab bar], [24" grab bar]. If applicable, please indicate location of additional accessories on drawing
6. Accessory Style: [Standard Thru-Bolted], [Flanged], [Elite Series], [Anti-Ligature], [Custom]
7. Accessory Finish: [Standard Satin Stainless], [Matte Black], [Polished Stainless] [White], [Custom]

## Optional/Standalone Accessories†

<input type="checkbox"/> CR56501T	Thru-bolted Curtain Rod	<input type="checkbox"/> SB1800T	18" grab bar
<input type="checkbox"/> EF-7272-SC	Shower Curtain	<input type="checkbox"/> SB2400T	24" grab bar
<input type="checkbox"/> EF-0000-SD	Recessed Soap Dish		
<input type="checkbox"/> EF-0000-CCS	Composite Corner Shelf		
<input type="checkbox"/> EF-0000-SK	Shower Slide-Bar Kit		
<input type="checkbox"/> EF-0000-DA	Shower Drain		

†If applicable, please select accessory style and finish from options below. If non-standard accessory is selected, please also indicate desired location(s) on drawing.

## Accessory Style

- Thru-bolted (Standard)
- Flanged
- Anti-ligature

## Accessory Finish

- Satin Stainless (Standard)
- Matte Black
- Polished Stainless
- White
- Custom, please specify:



Affordable Housing  
**SHOWERS.com**  
by ORCA HealthCare

[www.affordablehousingshowers.com](http://www.affordablehousingshowers.com)

Quotes and inquiries:

1-888-286-8030

info@affordablehousingshowers.com