

| | | | |
|---------------|--|---------------|--|
| Project Name | | Customer Name | |
| Quote Number | | Date | |
| Customization | | | |

Standard Features

| | |
|----------------------------|---|
| Type | One-piece roll-in type shower stall. Available in left or right hand configuration. |
| Color | White |
| Exterior Dimensions | 63"W x 34"D x 78-1/2"H |
| Materials | Gel coat and fiberglass composite |
| Approximate Weight | 140 lbs |

Certifications and Accessibility Code Compliance



Uniform Plumbing Code



CSA B45.5-11 / IAPMO Z124-2017



ADA

ANSI

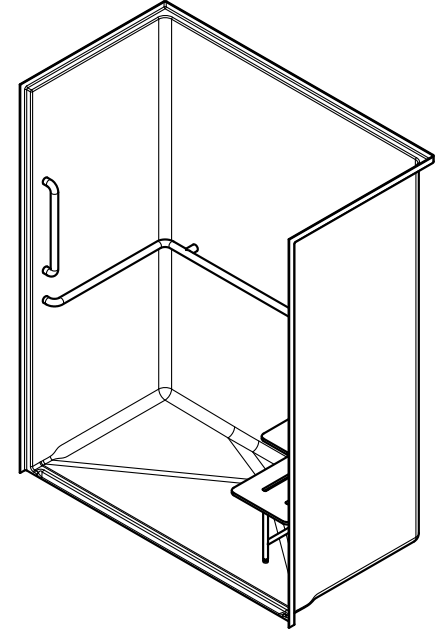
ICC A117.1 - 2017 ANSI Type A



CA Title 24



HUD / FHA

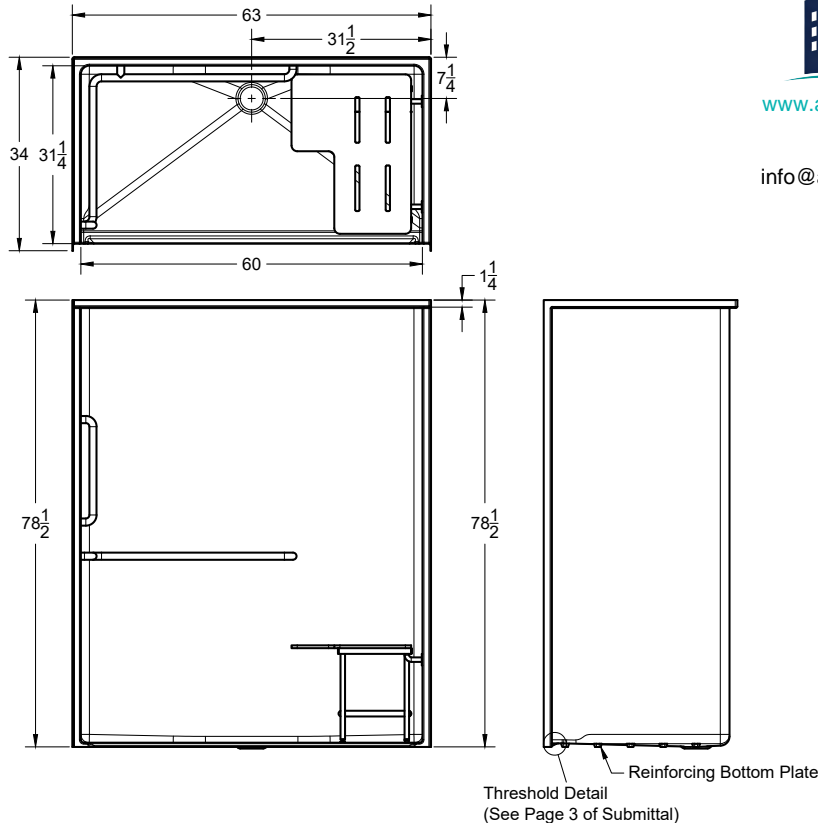


Warranty

30 Year Limited

Reinforcement

Fully reinforced with EverFab's unique composite core material which allows for factory or field installation of ADA compliant grab bars and seat



Affordable Housing
SHOWERS.com
by ORCA HealthCare

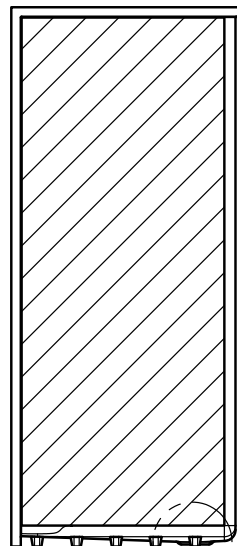
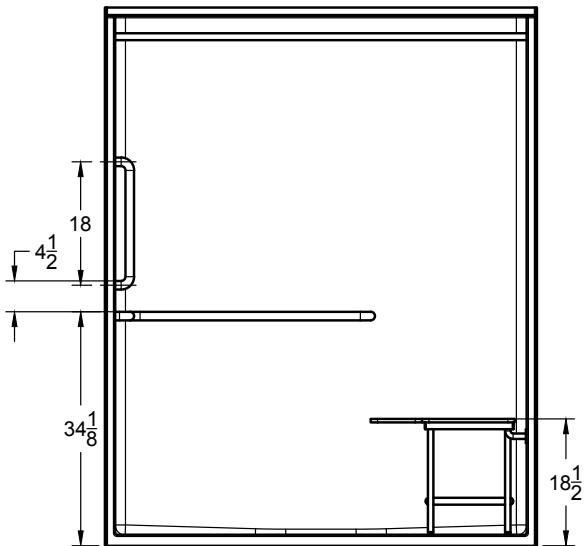
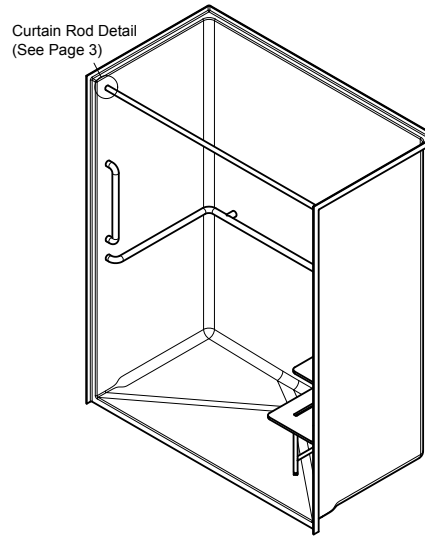
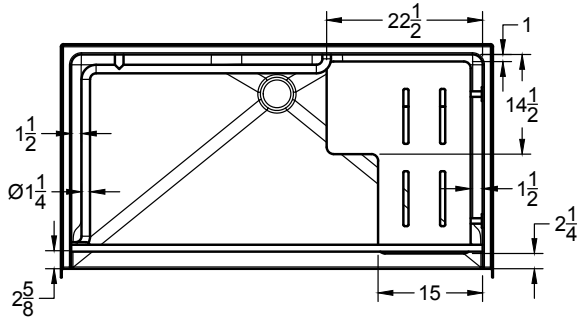
www.affordablehousingshowers.com

Quotes and inquiries:

1-888-286-8030

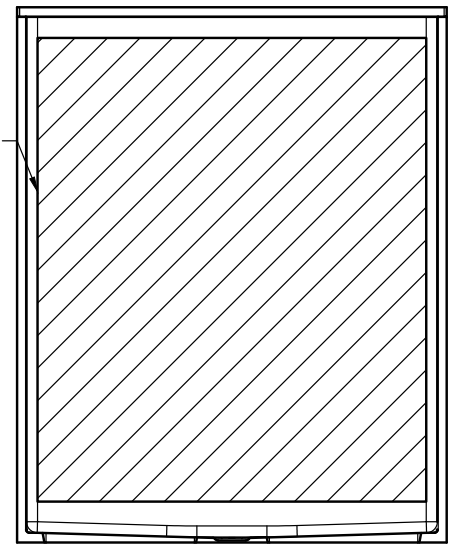
info@affordablehousingshowers.com

ADA Accessory Dimensions



Drain Block Out Detail
 (See Submittal Page 3)

Fully Reinforced with EverFab Core Material for factory or field installation of grab bars and seat

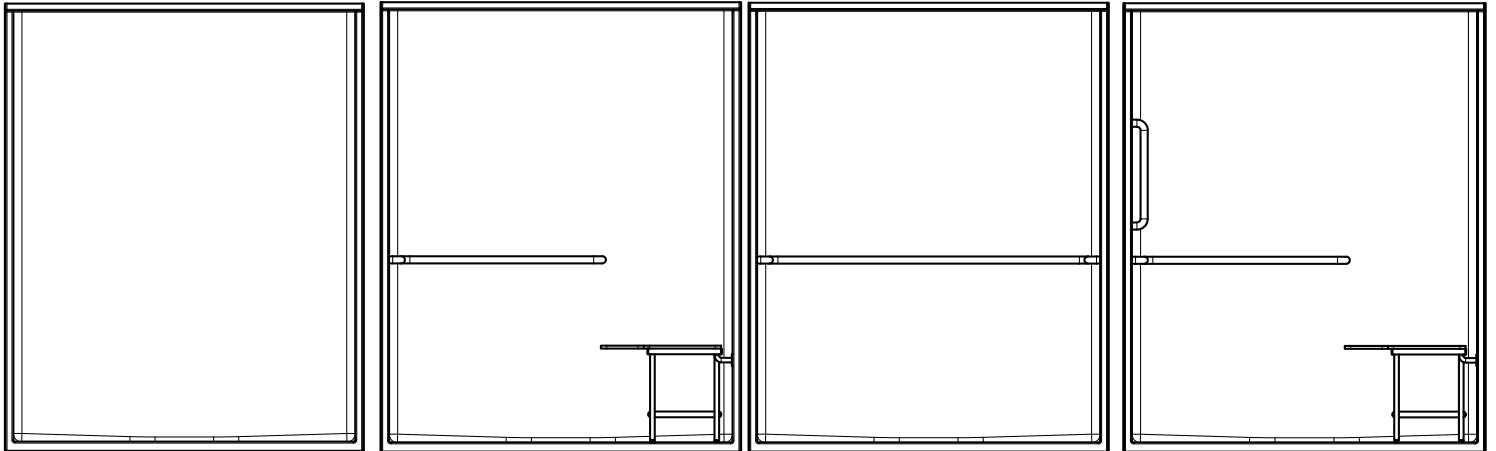


Architectural Specifications

A. Shower Stall:

1. Model: No. S6334A-L/R
2. Description: One-piece shower stall with reinforcing bottom plate, slip-resistant floor, and inorganic composite reinforcement for placement of grab bars and seat
3. Exterior dimensions: 63 inches wide x 34 inches deep x 78-1/2 inches high.
4. Trough-in: +1/8" -0" nominal dimensions
5. Threshold: [Standard] [Low Profile] [No-Recess] Threshold Detail
6. Accessibility Accessories: [A0] [A1] [A2] [A3] [Custom] accessory configuration
7. Optional Accessories: Furnish with [curtain rod], [shower curtain], [recessed soap dish], [composite corner shelf], [shower slide-bar kit], [EverFab Tub-wrap], [shower drain], [18" grab bar], [24" grab bar], [custom grab bar], [folding seat], [T-shaped EverDam]. If applicable, please indicate location of additional accessories on drawing
8. Accessory Style: [A0 - No Accessories], [Standard Thru-Bolted], [Flanged], [Elite Series], [Anti-Ligature], [Custom]
9. Accessory Finish: [A0 - No Accessories], [Standard Satin Stainless], [Matte Black], [Polished Stainless] [White], [Custom]

ADA Accessory Configurations (number following 'A' indicates configuration)



S6334A0

No Accessories

S6334A1-R

L-shaped grab bar
Seat

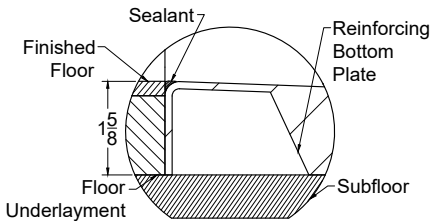
S6334A2

U-shaped grab bar

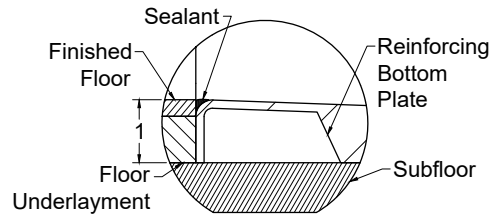
S6334A3-R

L-shaped grab bar
Seat
18" vertical grab bar

Threshold Details

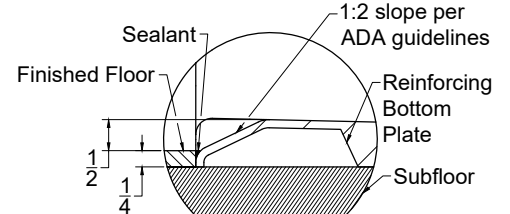


Standard



Low-Profile

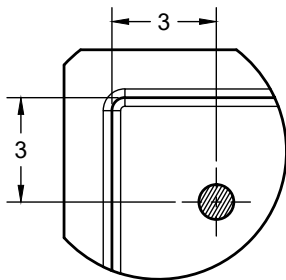
Model number followed with 'LP'



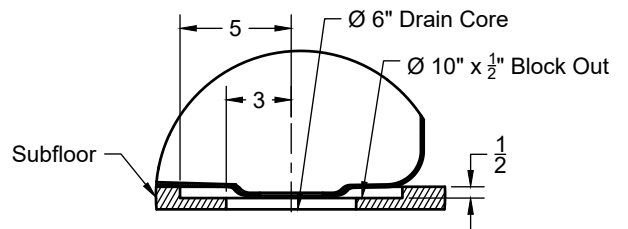
No-Recess

Model number followed with 'NR'

Additional Details



Standard Curtain Rod Location



Drain Block-Out

Standard Threshold Model Configurations

| Model Number | Pre-Installed L-Shaped Grab Bar | Pre-Installed 18" Vertical Grab Bar | Pre-Installed U-Shaped Grab Bar | Pre-Installed Folding Seat | Drain Block Out Required | Accessibility Code Compliance |
|----------------------------------|---------------------------------|-------------------------------------|---------------------------------|----------------------------|--------------------------|--|
| <input type="checkbox"/> S6334A0 | No | No | No | No | No | Adaptable** |
| <input type="checkbox"/> S6334A1 | Yes | No | No | Yes | No | ADA, CA Title 24, HUD/FHA |
| <input type="checkbox"/> S6334A2 | No | No | Yes | No | No | ADA, CA Title 24, HUD/FHA |
| <input type="checkbox"/> S6334A3 | Yes | Yes | No | Yes | No | ADA, CA Title 24, HUD/FHA, ANSI A117.1 |

Low Profile Threshold Model Configurations

| Model Number | Pre-Installed L-Shaped Grab Bar | Pre-Installed 18" Vertical Grab Bar | Pre-Installed U-Shaped Grab Bar | Pre-Installed Folding Seat | Drain Block Out Required | Accessibility Code Compliance |
|------------------------------------|---------------------------------|-------------------------------------|---------------------------------|----------------------------|--------------------------|--|
| <input type="checkbox"/> S6334A0LP | No | No | No | No | Yes | Adaptable** |
| <input type="checkbox"/> S6334A1LP | Yes | No | No | Yes | Yes | ADA, CA Title 24, HUD/FHA |
| <input type="checkbox"/> S6334A2LP | No | No | Yes | No | Yes | ADA, CA Title 24, HUD/FHA |
| <input type="checkbox"/> S6334A3LP | Yes | Yes | No | Yes | Yes | ADA, CA Title 24, HUD/FHA, ANSI A117.1 |

No-Recess Threshold Model Configurations

| Model Number | Pre-Installed L-Shaped Grab Bar | Pre-Installed 18" Vertical Grab Bar | Pre-Installed U-Shaped Grab Bar | Pre-Installed Folding Seat | Drain Block Out Required | Accessibility Code Compliance |
|------------------------------------|---------------------------------|-------------------------------------|---------------------------------|----------------------------|--------------------------|--|
| <input type="checkbox"/> S6334A0NR | No | No | No | No | Yes | Adaptable** |
| <input type="checkbox"/> S6334A1NR | Yes | No | No | Yes | Yes | ADA, CA Title 24, HUD/FHA |
| <input type="checkbox"/> S6334A2NR | No | No | Yes | No | Yes | ADA, CA Title 24, HUD/FHA |
| <input type="checkbox"/> S6334A3NR | Yes | Yes | No | Yes | Yes | ADA, CA Title 24, HUD/FHA, ANSI A117.1 |

**Model is reinforced and capable of meeting accessibility code requirements with proper field-installation of grab bars and seat

Seat Placement (indicated by '-L' or '-R' following model number if applicable)*

- Left Hand Right Hand

*Seat placement is determined as if outside the unit looking in. For clarity, a right hand model is shown in all drawings.

Optional/Standalone Accessories†

| | | | |
|--------------------------------------|-------------------------|-------------------------------------|------------------------|
| <input type="checkbox"/> CR6001T | Thru-bolted Curtain Rod | <input type="checkbox"/> SB1800T | 18" grab bar |
| <input type="checkbox"/> EF-7272-SC | Shower Curtain | <input type="checkbox"/> SB2400T | 24" grab bar |
| <input type="checkbox"/> EF-0000-SD | Recessed Soap Dish | <input type="checkbox"/> LB28375T | 28"x37.5" L-bar |
| <input type="checkbox"/> EF-0000-CCS | Composite Corner Shelf | <input type="checkbox"/> LS28225 | 28"x22.5" Folding seat |
| <input type="checkbox"/> EF-0000-SK | Shower Slide-Bar Kit | <input type="checkbox"/> EF-0060-ED | T-Shaped EverDam |
| <input type="checkbox"/> EF-0000-DA | Shower Drain | | |

†If applicable, please select accessory style and finish from options below. If non-standard accessory is selected, please also indicate desired location(s) on drawing.

Accessory Style

- Thu-bolted (Standard)
 Flanged
 Anti-ligature

Accessory Finish

- Satin Stainless (Standard)
 Matte Black
 Polished Stainless
 White
 Custom, please specify:



Affordable Housing
SHOWERS.com
 by ORCA HealthCare

www.affordablehousingshowers.com

Quotes and inquiries:

1-888-286-8030

info@affordablehousingshowers.com