

Project Name		Customer Name	
Quote Number		Date	
Customization			

Standard Features

Type	Two-piece alternate roll-in type shower stall. Available in left or right hand configuration.
Color	White
Exterior Dimensions	63"W x 39"D x 79-5/8"H
Materials	Gel coat and fiberglass composite
Approximate Weight	190 lbs

Certifications and Accessibility Code Compliance



Uniform Plumbing Code



CSA B45.5-11 / IAPMO Z124-2017



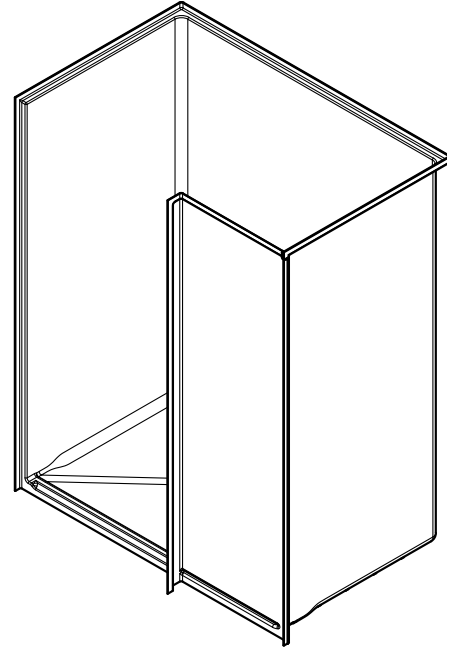
ADA

ANSI

ICC A117.1 - 2017 ANSI Type A



California Title 24

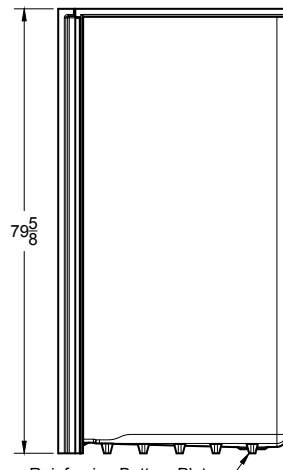
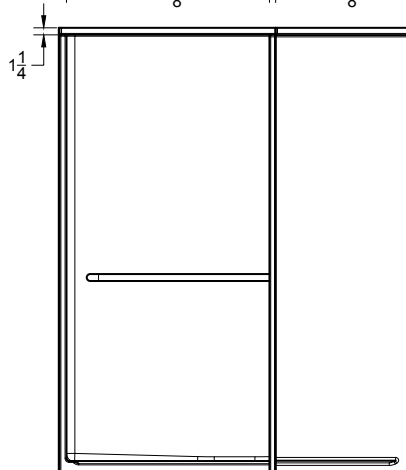
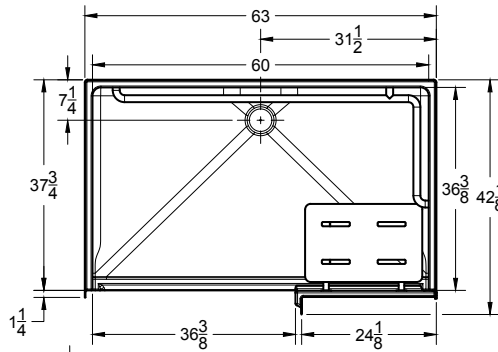


Warranty

30 Year Limited

Reinforcement

Fully reinforced with EverFab's unique composite core material which allows for factory or field installation of ADA compliant grab bars and seat



Affordable Housing
SHOWERS.com
by ORCA HealthCare

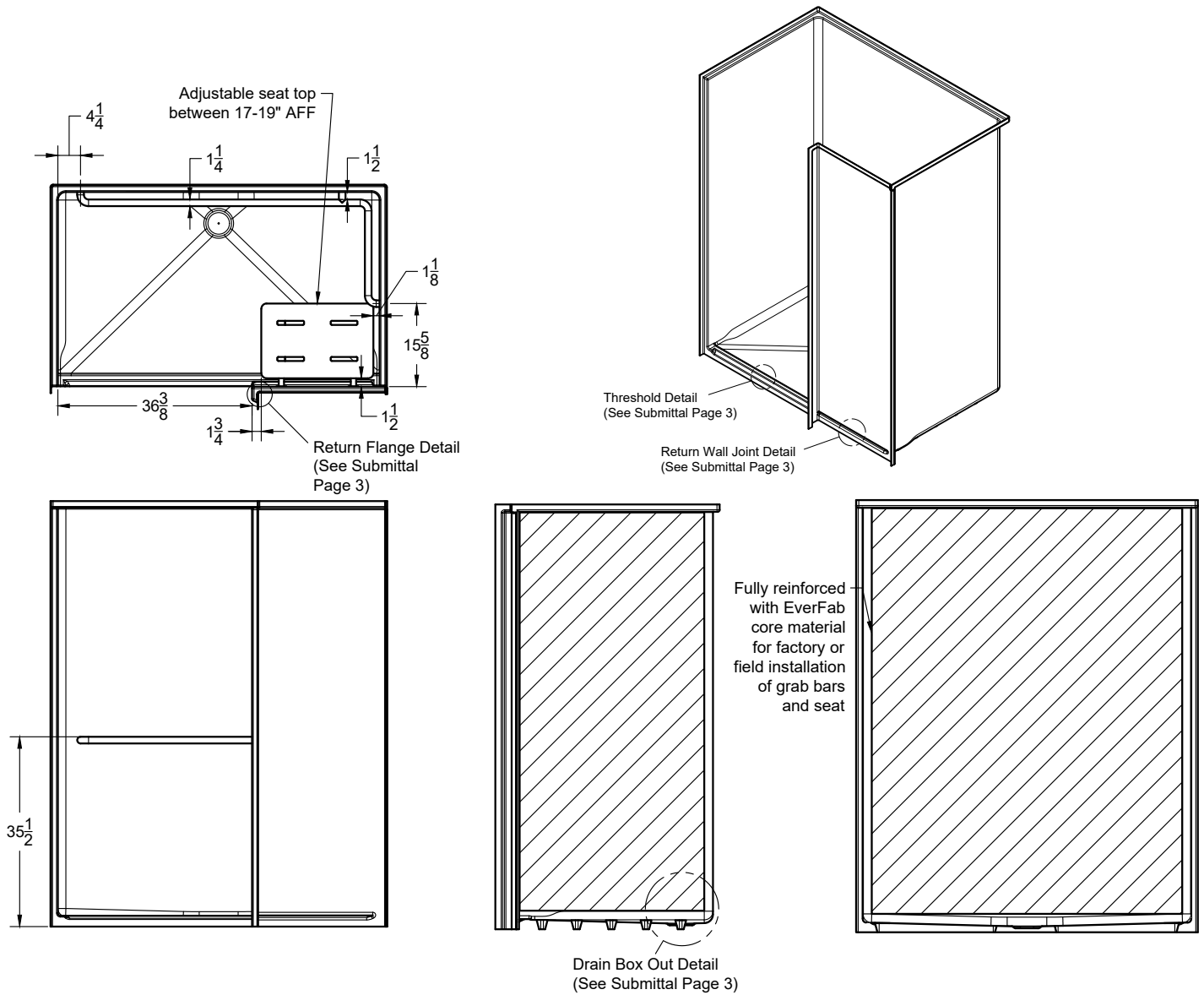
www.affordablehousingshowers.com

Quotes and inquiries:

1-888-286-8030

info@affordablehousingshowers.com

ADA Accessory Dimensions

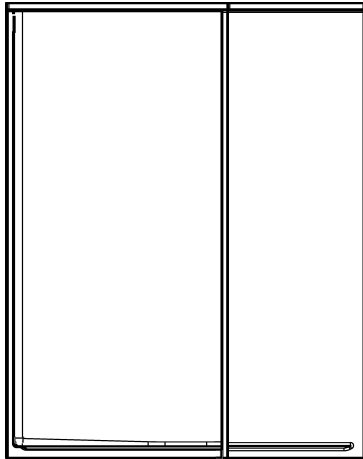


Architectural Specifications

A. Shower Stall:

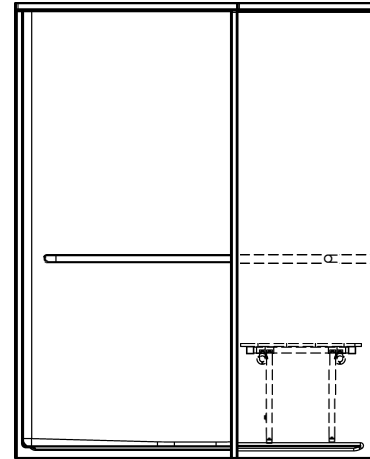
1. Model: No. S6339RWA-L/R
2. Description: Two-piece shower stall with reinforcing bottom plate, slip-resistant floor, return wall, $\frac{1}{8}$ " interior drop for water retention, and inorganic composite reinforcement for placement of grab bars and seat
3. Exterior dimensions: 63 inches wide x 39 inches deep x $79\text{-}\frac{5}{8}$ inches high
4. Rough-in: $+1\frac{1}{8}$ " -0" nominal dimensions
5. Threshold: [Standard] [Low Profile] [No-Recess] Threshold Detail
6. Accessibility Accessories: [A0] [A1] [Custom] accessory configuration
7. Optional Accessories: Furnish with [curtain rod], [shower curtain], [recessed soap dish], [composite corner shelf], [shower slide-bar kit], [EverFab tub-wrap], [shower drain], [18" grab bar], [24" grab bar], [folding seat], [T-shaped EverDam]. If applicable, please indicate location of additional accessories on drawing
8. Accessory Style: [A0 - No Accessories], [Standard Thru-Bolted], [Flanged], [Elite Series], [Anti-Ligature], [Custom]
9. Accessory Finish: [A0 - No Accessories], [Standard Satin Stainless], [Matte Black], [Polished Stainless] [White], [Custom]

ADA Accessory Configurations (number following 'A' indicates configuration)



S6339RWA0-R

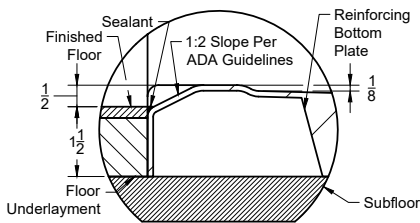
No Accessories



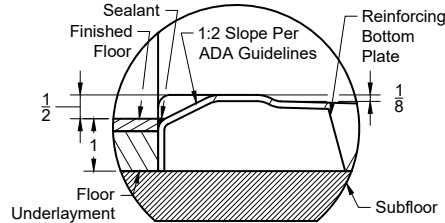
S6339RWA1-R

L-shaped grab bar
Seat

Threshold Details

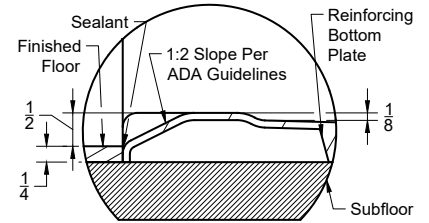


Standard



Low-Profile

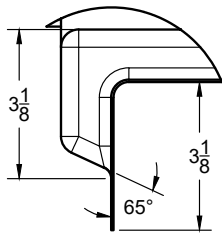
Model number followed with 'LP'



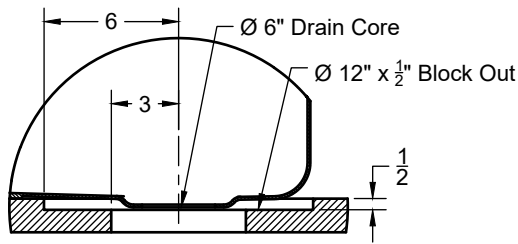
No-Recess

Model number followed with 'NR'

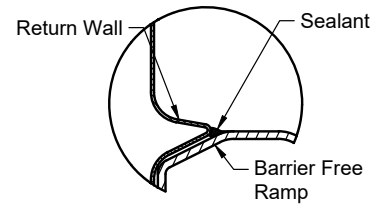
Additional Details



Return Flange



Drain Block-Out



Return Wall Joint

Standard Threshold Model Configurations

Model Number	Pre-Installed L-Shaped Grab Bar	Pre-Installed Folding Seat	Drain Block Out Required	Accessibility Code Compliance
<input type="checkbox"/> S6339RWA0	No	No	No	Adaptable**
<input type="checkbox"/> S6339RWA1	Yes	Yes	No	ADA, CA Title 24, WAC, ANSI, HUD/FHA

Low Profile Threshold Model Configurations

Model Number	Pre-Installed L-Shaped Grab Bar	Pre-Installed Folding Seat	Drain Block Out Required	Accessibility Code Compliance
<input type="checkbox"/> S6339RWA0LP	No	No	Yes	Adaptable**
<input type="checkbox"/> S6339RWA1LP	Yes	Yes	Yes	ADA, CA Title 24, WAC, ANSI, HUD/FHA

No-Recess Threshold Model Configurations

Model Number	Pre-Installed L-Shaped Grab Bar	Pre-Installed Folding Seat	Drain Block Out Required	Accessibility Code Compliance
<input type="checkbox"/> S6339RWA0NR	No	No	Yes	Adaptable**
<input type="checkbox"/> S6339RWA1NR	Yes	Yes	Yes	ADA, CA Title 24, WAC, ANSI, HUD/FHA

**Model is reinforced and capable of meeting accessibility code requirements with proper field-installation of grab bars and seat

Seat Placement (indicated by '-L' or '-R' following model number if applicable)*

- Left Hand Right Hand

*Seat placement is determined as if outside the unit looking in. For clarity, a right hand model is shown in all drawings.

Optional/Standalone Accessories†

<input type="checkbox"/> CR6001T	Thru-bolted Curtain Rod	<input type="checkbox"/> SB1800T	18" grab bar
<input type="checkbox"/> EF-4872-SC	Shower Curtain	<input type="checkbox"/> SB2400T	24" grab bar
<input type="checkbox"/> EF-0000-SD	Recessed Soap Dish	<input type="checkbox"/> LB2156T	21"x56" L-bar
<input type="checkbox"/> EF-0000-CCS	Composite Corner Shelf	<input type="checkbox"/> RS21155	21"x15.5" Folding seat
<input type="checkbox"/> EF-0000-SK	Shower Slide-Bar Kit	<input type="checkbox"/> EF-0060-ED	T-Shaped EverDam
<input type="checkbox"/> EF-0000-DA	Shower Drain		

†If applicable, please select accessory style and finish from options below. If non-standard accessory is selected, please also indicate desired location(s) on drawing.

Accessory Style

- Thu-bolted (Standard)
 Flanged
 Anti-ligature

Accessory Finish

- Satin Stainless (Standard)
 Matte Black
 Polished Stainless
 White
 Custom, please specify:



Affordable Housing
SHOWERS.com
 by ORCA HealthCare

www.affordablehousingshowers.com

Quotes and inquiries:

1-888-286-8030

info@affordablehousingshowers.com