

Project Name		Customer Name	
Quote Number		Date	
Customization			

## Standard Features

Type	Shower pan with return flange
Color	White
Exterior Dimensions	39-1/2"W x 38-1/2"D x 5"H
Materials	Gel coat and fiberglass composite
Approximate Weight	35 lbs

## Certifications and Accessibility Code Compliance



Uniform Plumbing Code



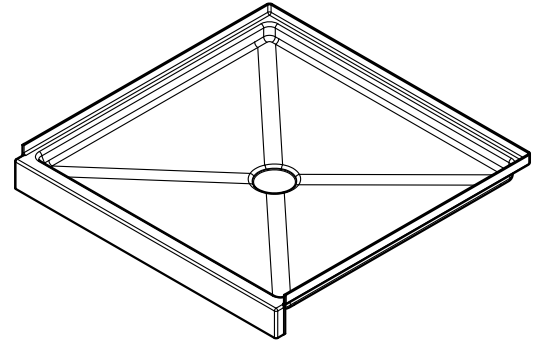
CSA B45.5-11 / IAPMO Z124-2017



HUD / FHA

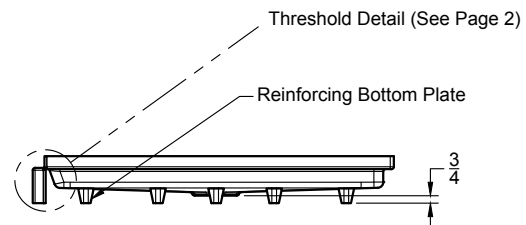
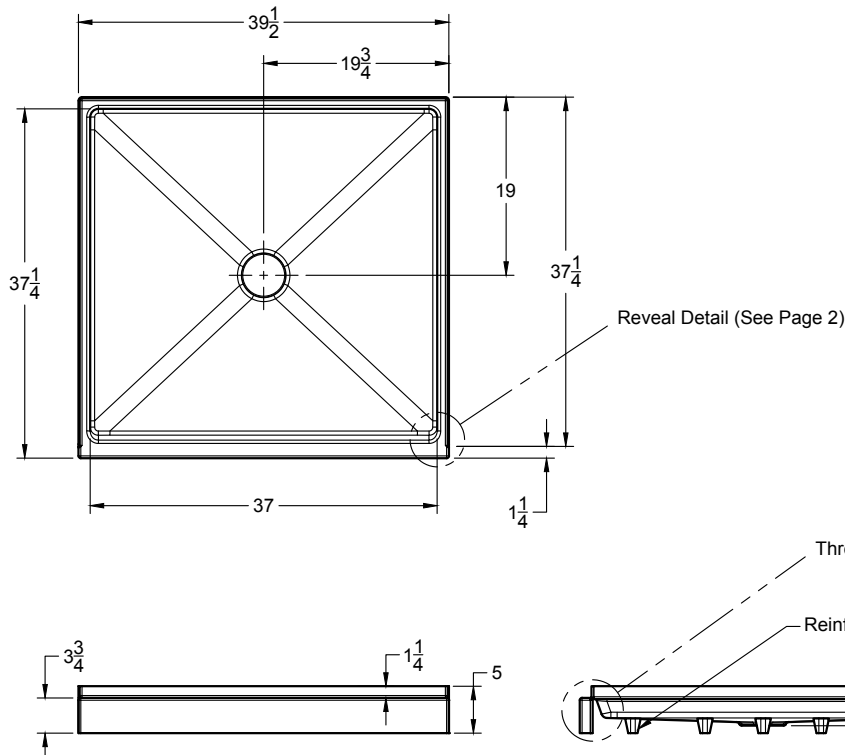
**ANSI**

ICC A117.1 - 2017  
ANSI Type B



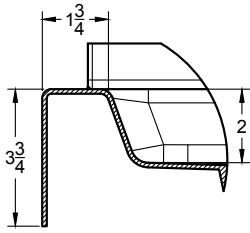
## Warranty

30 Year Limited

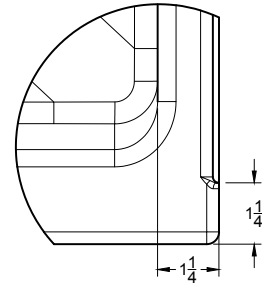


 Affordable Housing  
**SHOWERS.com**  
by ORCA HealthCare  
[www.affordablehousingshowers.com](http://www.affordablehousingshowers.com)  
Quotes and inquiries:  
1-888-286-8030  
info@affordablehousingshowers.com

## Threshold Details



**Standard Threshold**



**Reveal Detail**

*Reveal allows for a parallel or perpendicular drywall finish*

## Architectural Specifications

### A. Shower Stall:

1. Model: No. SP3937RFB
2. Description: ANSI B compliant transfer shower base with reinforcing bottom plate, slip-resistant floor, and unique reveal that allows for a parallel or perpendicular drywall finish
3. Exterior dimensions: 39-1/2 inches wide x 38-1/2 inches deep x 5 inches high
4. Rough-in: +1/8" -0" nominal dimensions
5. Optional Accessories: Furnish with [shower drain]
6. Accessory Finish: [No Accessories], [Standard Satin Stainless], [Matte Black], [Polished Stainless] [White], [Custom]

## Optional/Standalone Accessories†

**EF-0000-DA** Shower Drain

*†If applicable, please select accessory style and finish from options below. If non-standard accessory is selected, please also indicate desired location(s) on drawing.*

## Accessory Finish

- Satin Stainless (Standard)
- Matte Black
- Polished Stainless
- White
- Custom, please specify:

  
Affordable Housing  
**SHOWERS.com**  
by ORCA HealthCare  
[www.affordablehousingshowers.com](http://www.affordablehousingshowers.com)  
**Quotes and inquiries:**  
1-888-286-8030  
info@affordablehousingshowers.com