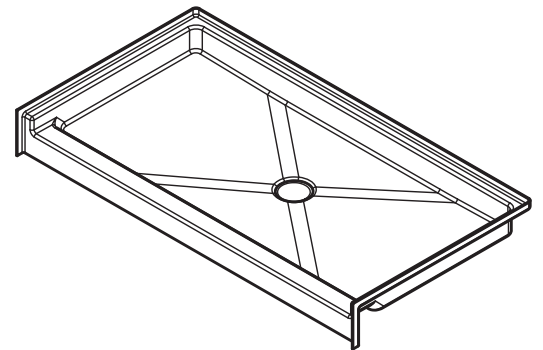
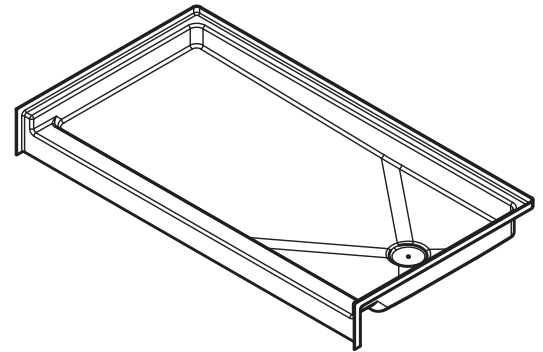


Project Name		Customer Name	
Quote Number		Date	
Customization			

Standard Features

Type	Single-piece shower base available in left, right, or center drain configurations.
Color	White
Exterior Dimensions	60"W x 32"D x 7"H
Materials	Gel coat and fiberglass composite
Approximate Weight	40 lbs



Certifications and Accessibility Code Compliance



ANSI

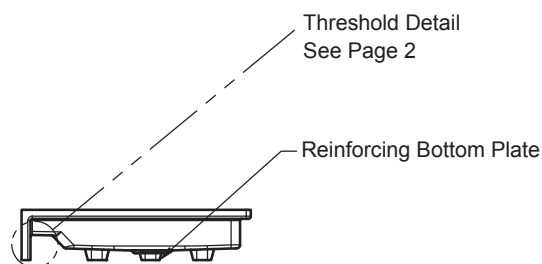
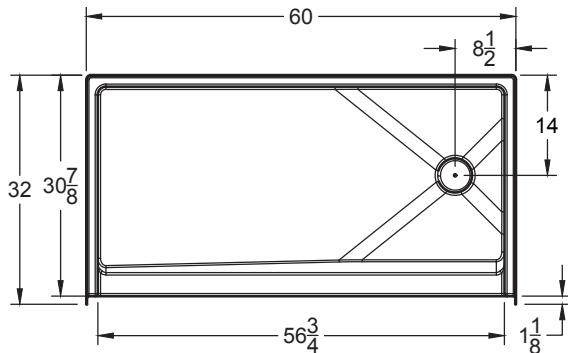
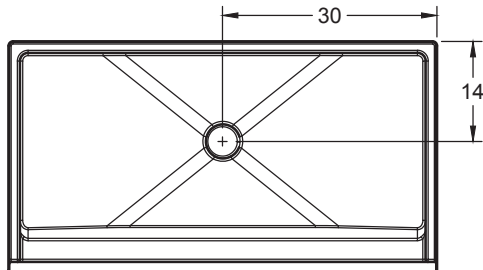
Uniform Plumbing Code

CSA B45.5-11 / IAPMO Z124-2017

ICC A117.1 - 2017 ANSI Type B

Warranty

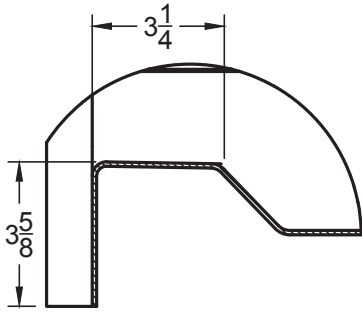
30 Year Limited



 Affordable Housing
SHOWERS.com
by ORCA HealthCare
www.affordablehousingshowers.com
Quotes and inquiries:
1-888-286-8030
info@affordablehousingshowers.com

Due to the nature of the material, all measurements may vary by $\pm 3/8"$. Dimensions needed for site preparation should be measured from the unit.

Detailed Views



Threshold

Architectural Specifications

A. Shower Stall:

1. Model: No. SP6032B-L/R
2. Description: Single-piece shower base with reinforcing bottom plate with [left], [right], [center drain] configuration.
3. Exterior dimensions: 60 inches wide x 32 inches deep x 7 inches high
4. Rough-in: +1/8" -0" nominal dimensions
5. Optional Accessories: Furnish with [shower drain].
6. Accessory Finish: [Standard Satin Stainless], [Matte Black], [Polished Stainless] [White], [Custom]

Drain Placement*

Left - Model SP6032B-L

Right - Model SP6032B-R

Center - Model SP6032B

Optional/Standalone Accessories†

EF-0000-DA Shower Drain

†If applicable, please select accessory style and finish from options below. If non-standard accessory is selected, please also indicate desired location(s) on drawing.

Accessory Finish

Satin Stainless (Standard)

Matte Black

Polished Stainless

White

Custom, please specify:



Affordable Housing
SHOWERS.com
by ORCA HealthCare

www.affordablehousingshowers.com

Quotes and inquiries:

1-888-286-8030

info@affordablehousingshowers.com