

Project Name		Customer Name	
Quote Number		Date	
Customization			

Standard Features

Type	One-piece roll-in type shower pan
Color	Available in white
Exterior Dimensions	62"W x 36"D x 4-1/8"H
Materials	Gel coat and fiberglass composite
Approximate Weight	50 lbs

Certifications and Accessibility Code Compliance



Uniform Plumbing Code



CSA B45.5-11 / IAPMO Z124-2017



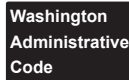
ADA

ANSI

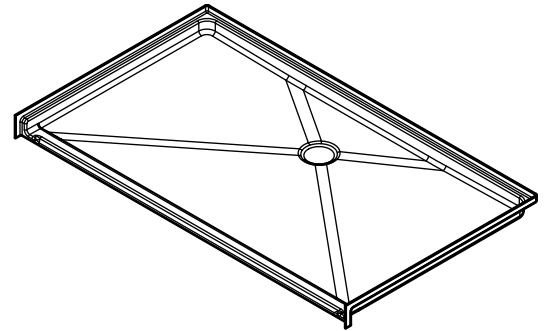
ICC A117.1 - 2017 ANSI Type A



California Title 24

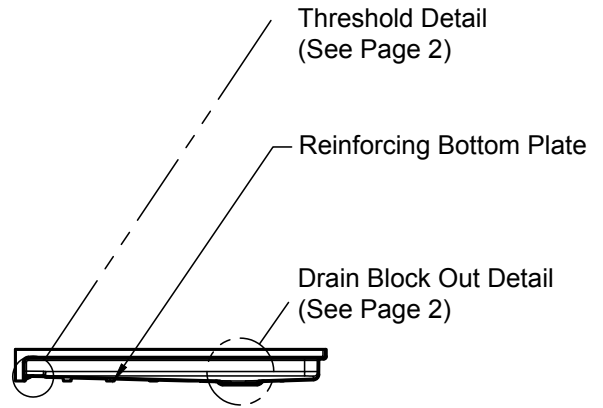
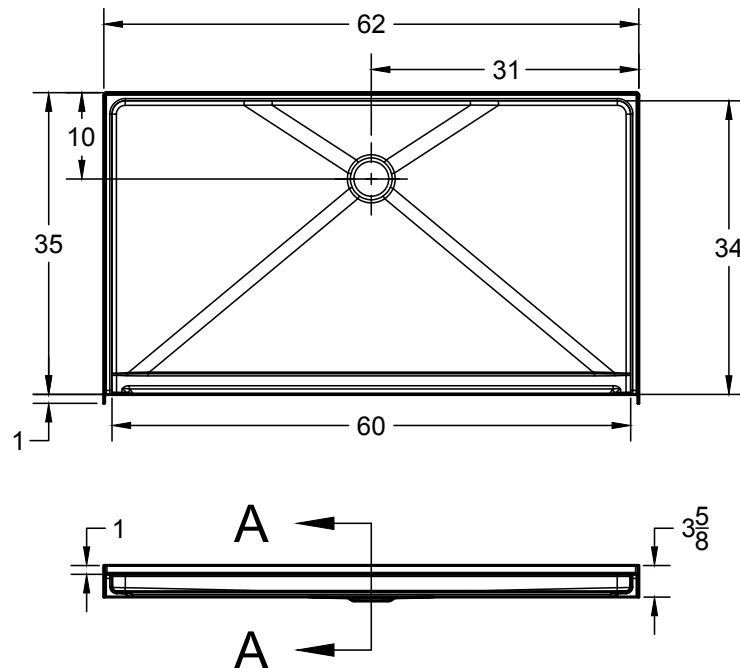


WAC 388-78A-3030



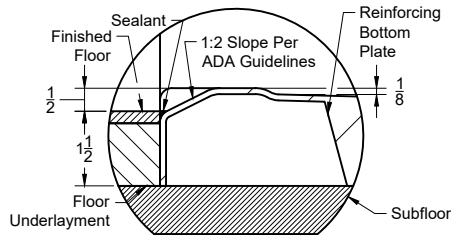
Warranty

30 Year Limited

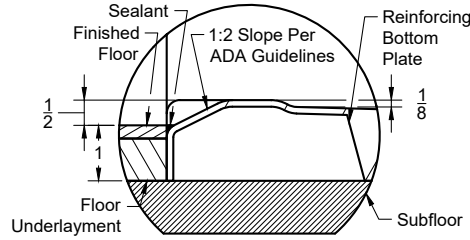


Affordable Housing SHOWERS.com
by ORCA HealthCare
www.affordablehousingshowers.com
Quotes and inquiries:
1-888-286-8030
info@affordablehousingshowers.com

Threshold Details

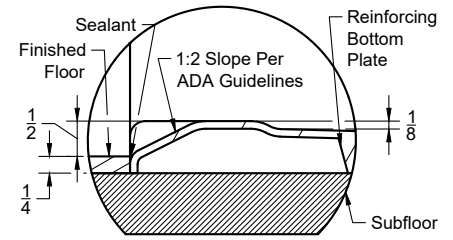


Standard



Low-Profile

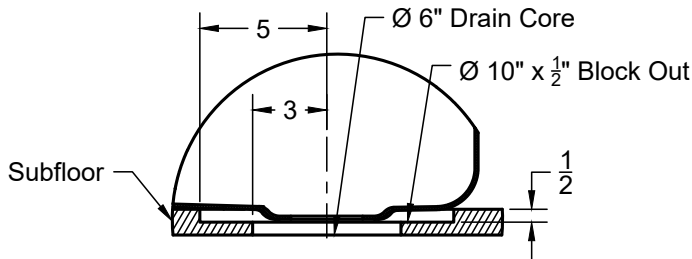
Model number followed with 'LP'



No-Recess

Model number followed with 'NR'

Additional Details



Drain Block-Out



Affordable Housing
SHOWERS.com
 by ORCA HealthCare

www.affordablehousingshowers.com

Quotes and inquiries:

1-888-286-8030

info@affordablehousingshowers.com

Architectural Specifications

A. Shower Stall:

1. Model: No. SP6236A
2. Description: One-piece roll-in type shower pan with reinforcing bottom plate and slip resistant floor
3. Exterior dimensions: 62 inches wide x 36" inches deep x 3-5/8 inches high
4. Rough-in: +1/8" -0" nominal dimension
5. Threshold: No Recess Threshold Detail
6. Optional Accessories: Furnish with[shower drain], [T-shaped EverDam]
7. Accessory Style: [A0 - No Accessories], [Flanged]
8. Accessory Finish: [A0 - No Accessories], [Standard Satin Stainless], [Matte Black], [Polished Stainless] [White], [Custom]

Model Number	Threshold Type	Drain Block Out Required	Accessibility Code Compliance
<input type="checkbox"/> SP6236A0	Standard	No	Adaptable*
<input type="checkbox"/> SP6236A0LP	Low Profile	Yes	Adaptable*
<input type="checkbox"/> SP6236A0NR	No Recess	Yes	Adaptable*

**Shower pan size and floor is capable of meeting accessibility code requirements*

Optional/Standalone Accessories†

- EF-0000-DA** Shower Drain
- EF-0060-ED** T-Shaped EverDam

†If applicable, please select accessory style and finish from options below. If non-standard accessory is selected, please also indicate desired location(s) on drawing.

Accessory Finish

- Satin Stainless (Standard)
- Matte Black
- Polished Stainless
- White
- Custom, please specify: