

Project Name		Customer Name	
Quote Number		Date	
Customization			

Standard Features

Type	One-piece roll-in type shower pan.
Color	White
Exterior Dimensions	63"W x 32-1/2"D x 6"H
Materials	Gel coat and fiberglass composite
Approximate Weight	60 lbs

Certifications and Accessibility Code Compliance



Uniform Plumbing Code



CSA B45.5-11 / IAPMO Z124-2017



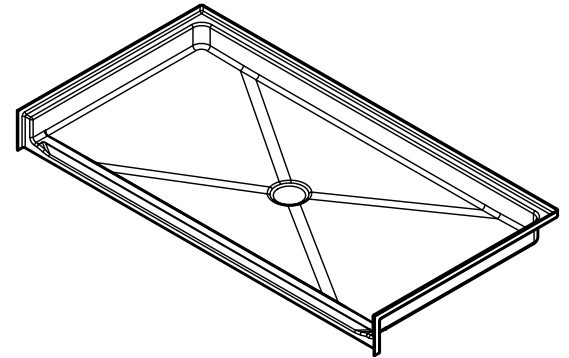
ADA

ANSI

ICC A117.1 - 2017 ANSI Type A

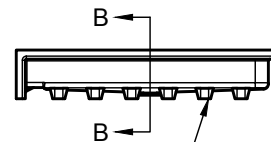
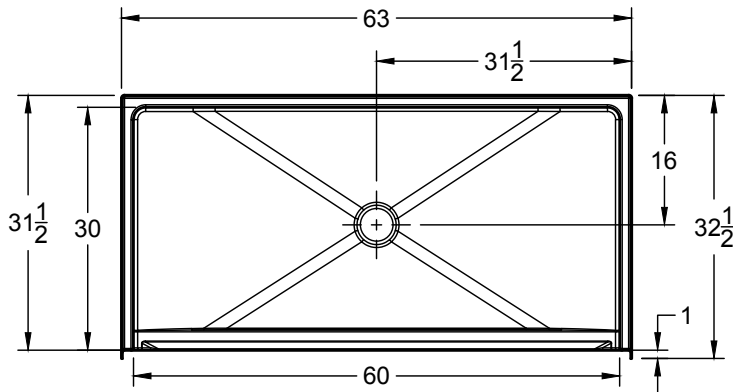


California Title 24



Warranty

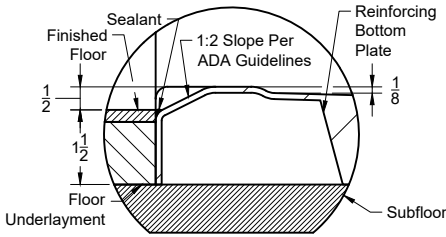
30 Year Limited



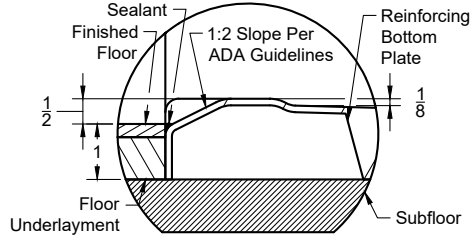
Reinforcing Bottom Plate

 Affordable Housing
SHOWERS.com
 by ORCA HealthCare
www.affordablehousingshowers.com
 Quotes and inquiries:
 1-888-286-8030
 info@affordablehousingshowers.com

Standard Threshold Details (Section A-A)

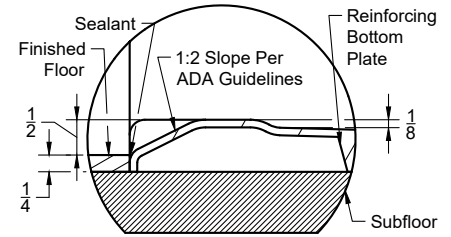


Standard



Low-Profile

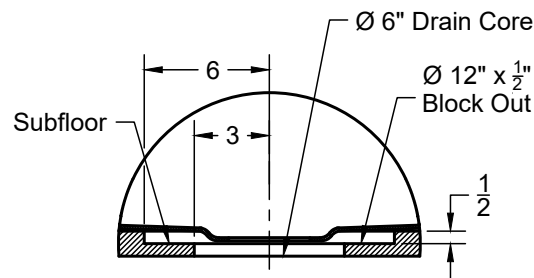
Model number followed with 'LP'



No-Recess

Model number followed with 'NR'

Drain Block-Out Detail (Section B-B)



Drain Block-Out

Architectural Specifications

A. Shower Stall:

1. Model: No. SP6332A
2. Description: One-piece roll-in type shower pan
3. Exterior dimensions: 63 inches wide x 31-1/2 inches deep x 6 inches high
4. Rough-in: +1/8" -0" nominal dimensions
5. Threshold: [Standard] [Low Profile] [No-Recess], [Custom] Threshold Detail
6. Optional Accessories: Furnish with [shower drain], [T-shaped EverDam]. If applicable, please indicate location of additional accessories on drawing
7. Accessory Finish: [Standard Satin Stainless], [Matte Black], [Polished Stainless] [White], [Custom]

Standard Threshold

Model Number	Drain Block Out Required	Accessibility Code Compliance
<input type="checkbox"/> SP6332A0	No	Adaptable**

Low Profile Threshold

Model Number	Drain Block Out Required	Accessibility Code Compliance
<input type="checkbox"/> SP6332A0LP	Yes	Adaptable**

No-Recess Threshold

Model Number	Drain Block Out Required	Accessibility Code Compliance
<input type="checkbox"/> SP6332A0NR	Yes	Adaptable**

**Shower floor is reinforced and capable of meeting accessibility code requirements with proper field-installation of grab bars and seat

Optional/Standalone Accessories†

- EF-0000-DA Shower Drain
- EF-0060-ED T-Shaped EverDam

†If applicable, please select accessory style and finish from options below.
If non-standard accessory is selected, please also indicate desired location(s) on drawing.

Accessory Finish

- Satin Stainless (Standard)
- Matte Black
- Polished Stainless
- White
- Custom, please specify:



Affordable Housing
SHOWERS.com
by ORCA HealthCare

www.affordablehousingshowers.com

Quotes and inquiries:

1-888-286-8030

info@affordablehousingshowers.com