

Project Name		Customer Name	
Quote Number		Date	
Customization			

### Standard Features

<b>Type</b>	One-piece roll-in type shower pan with removable stainless steel grate
<b>Color</b>	White
<b>Exterior Dimensions</b>	63"W x 34"D x 5"H
<b>Materials</b>	Gel coat and fiberglass composite
<b>Approximate Weight</b>	50 lbs

### Certifications and Accessibility Code Compliance



Universal Plumbing Code



CSA B45.5-11 / IAPMO Z124-2017



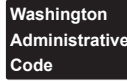
ADA

ANSI

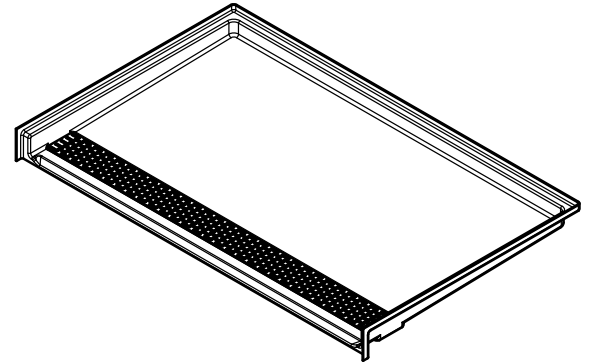
ICC A117.1 - 2017 ANSI Type A



California Title 24

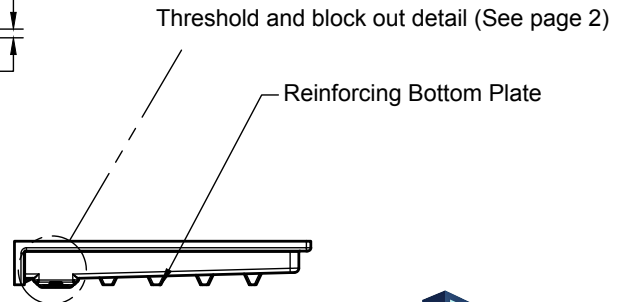
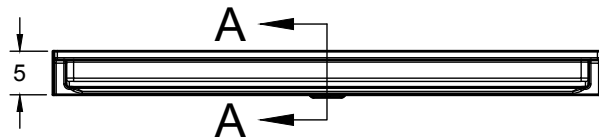
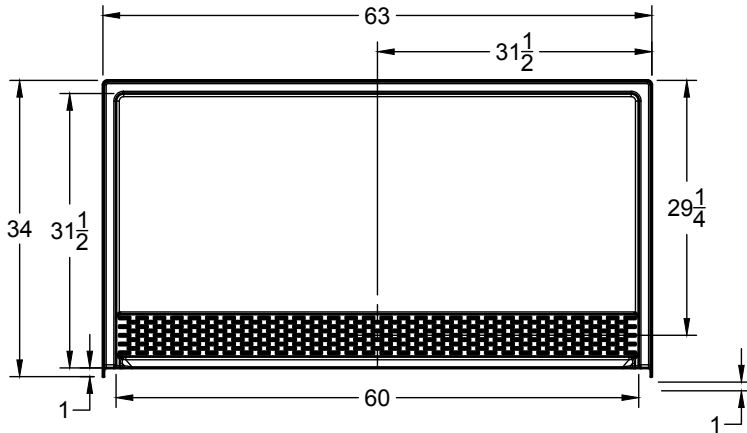


WAC 388-78A-3030



### Warranty

30 Year Limited



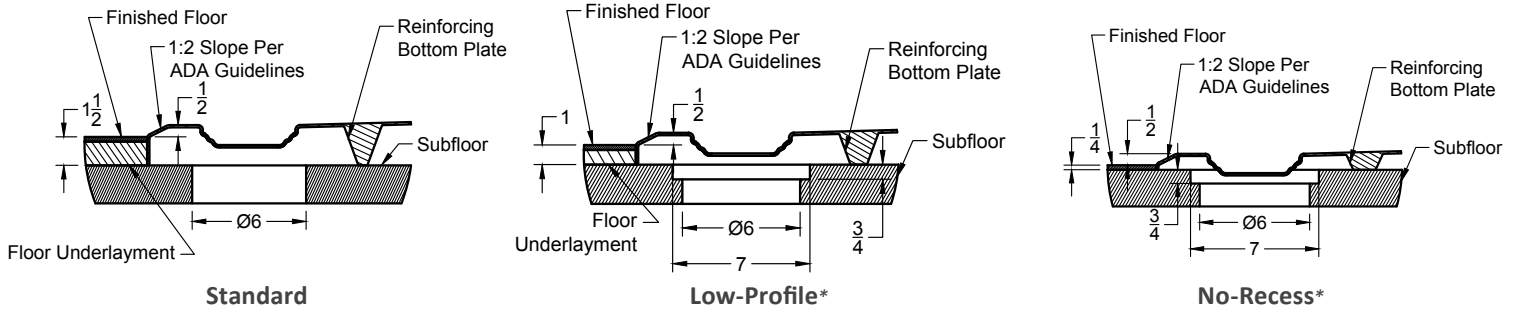
[www.affordablehousingshowers.com](http://www.affordablehousingshowers.com)

Quotes and inquiries:

1-888-286-8030

[info@affordablehousingshowers.com](mailto:info@affordablehousingshowers.com)

## Standard Threshold Details (Section A-A)



Model number followed with 'LP'

Model number followed with 'NR'

**\*For Low-Profile and No-Recess models, a 7" x 18" x 3/4" blockout centered with the drain is required**

## Architectural Specifications

### A. Shower Stall:

1. Model: No. SPT6333A
2. Description: One-piece roll-in type shower pan with front trench drain
3. Exterior dimensions: 63 inches wide x 34 inches deep x 5 inches high
4. Rough-in: +1/8" -0" nominal dimensions
5. Threshold: [Standard] [Low Profile] [No-Recess], [Custom] Threshold Detail
6. Optional Accessories: Furnish with [EverFab tub-wrap], [shower drain], [18" field-installed grab bar], [24" field-installed grab bar], [folding seat], [T-shaped EverDam]. If applicable, please indicate location of additional accessories on drawing
7. Accessory Style: [Flanged]
8. Accessory Finish: [Standard Satin Stainless], [Matte Black], [Polished Stainless] [White], [Custom]

### Standard Threshold

Model Number	Drain Block Out Required	Accessibility Code Compliance
<input type="checkbox"/> SPT6333A0	No	Adaptable**

### Low Profile Threshold

Model Number	Drain Block Out Required	Accessibility Code Compliance
<input type="checkbox"/> SPT6333A0LP	Yes	Adaptable**

### No-Recess Threshold

Model Number	Drain Block Out Required	Accessibility Code Compliance
<input type="checkbox"/> SPT6333A0NR	Yes	Adaptable**

\*\*Shower floor is reinforced and capable of meeting accessibility code requirements with proper field-installation of grab bars and seat

### Optional/Standalone Accessories†

- EF-0000-DA Shower Drain
- EF-6000-GR Shower Trench Grate

†If applicable, please select accessory style and finish from options below.  
If non-standard accessory is selected, please also indicate desired location(s) on drawing.

### Accessory Finish

- Satin Stainless (Standard)
- Matte Black
- Polished Stainless
- White
- Custom, please specify:



Affordable Housing  
**SHOWERS.com**  
by ORCA HealthCare

[www.affordablehousingshowers.com](http://www.affordablehousingshowers.com)

Quotes and inquiries:

1-888-286-8030

info@affordablehousingshowers.com