

Project Name		Customer Name	
Quote Number		Date	
Customization			

### Standard Features

Type	Four-piece transfer shower stall
Color	White
Exterior Dimensions	38-1/2"W x 38-3/4"D x 81-1/8"H
Materials	Gel coat and fiberglass composite
Approximate Weight	150 lbs

### Certifications and Accessibility Code Compliance



Uniform Plumbing Code



CSA B45.5-11 / IAPMO Z124-2017



**ANSI**

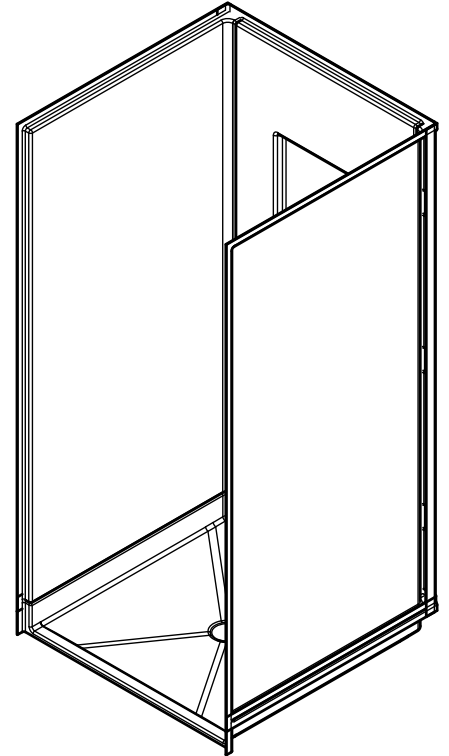
ANSI A117.1 - 2017 Type A



2010 ADAAG



CA Title 24 Chapter 11B

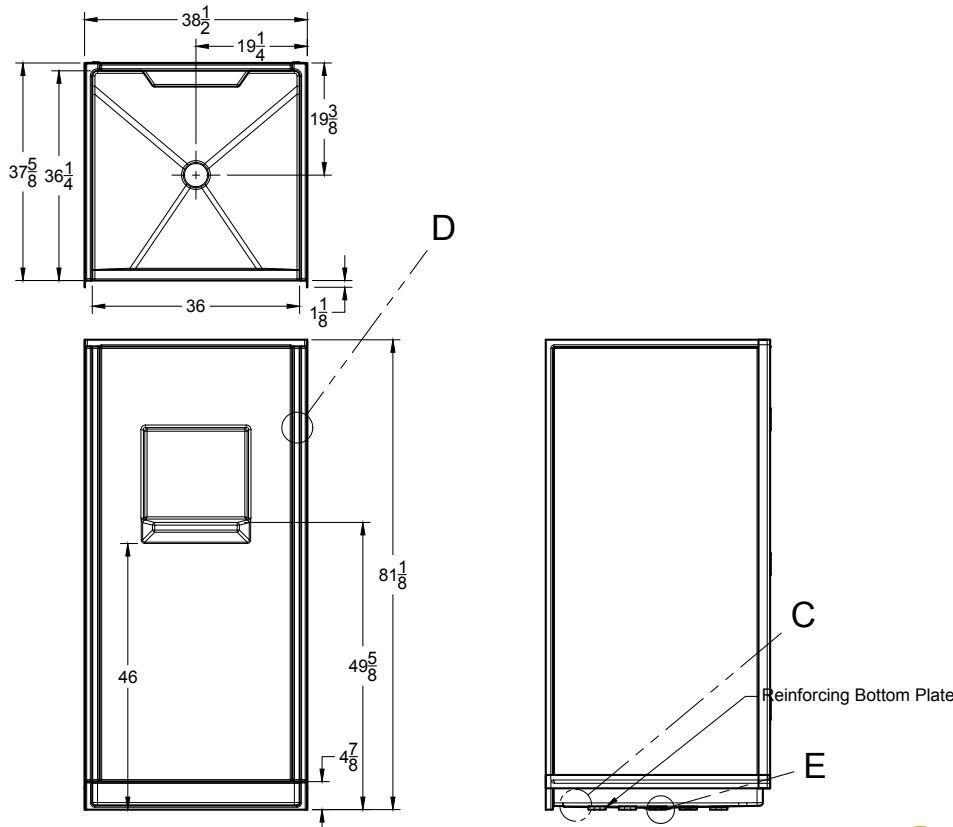


### Warranty

30 Year Limited

### Reinforcement

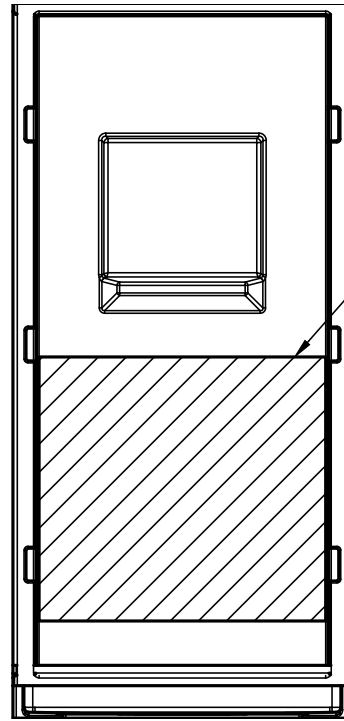
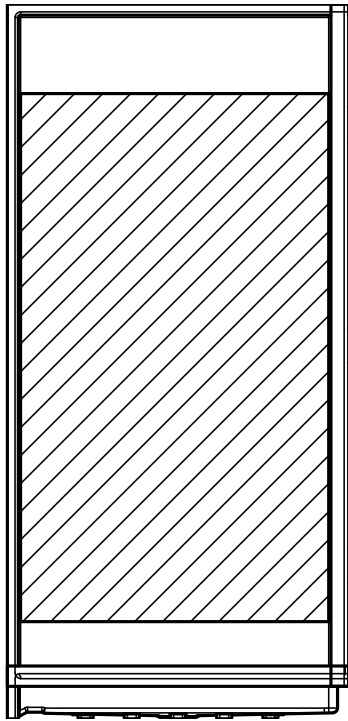
Fully reinforced with EverFab's unique composite core material which allows for factory or field installation of ADA compliant grab bars and seat



Due to the nature of the material, all measurements may vary by  $\pm 3/8$ ".  
 Dimensions needed for site preparation should be measured from the unit.

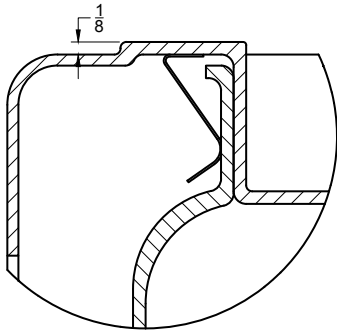
 Affordable Housing  
**SHOWERS.com**  
 by ORCA HealthCare  
[www.affordablehousingshowers.com](http://www.affordablehousingshowers.com)  
**Quotes and inquiries:**  
 1-888-286-8030  
[info@affordablehousingshowers.com](mailto:info@affordablehousingshowers.com)

## Reinforcement Location

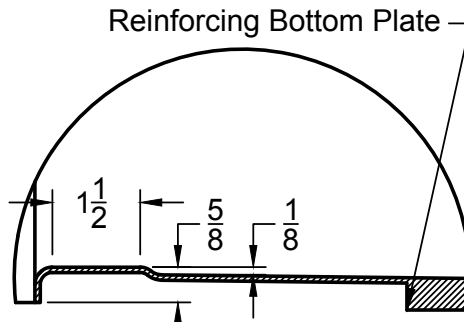


Reinforced with EverFab Core Material for factory or field installation of grab bars and/or seat

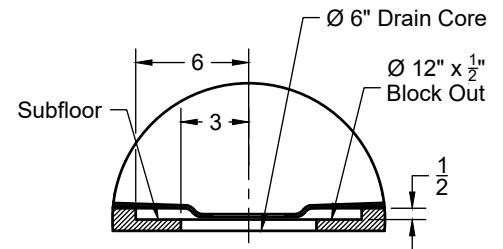
## Detailed Views



Wall Joint (Detail View D)



Low Profile (Detail View C)



Drain Block Out (Detail View E)

## Architectural Specifications

### A. Shower Stall:

1. Model: No. SS3838MA
2. Description: Four-piece transfer shower stall with reinforcing bottom plate, and inorganic composite reinforcement
3. Exterior dimensions: 38-1/2 inches wide x 38-3/4 inches deep x 81-1/8 inches high
4. Rough-in: +1/8" -0" nominal dimensions
5. Optional Accessories: Furnish with [curtain rod], [shower curtain], [recessed soap dish], [composite corner shelf], [shower slide-bar kit], [EverFab tub-wrap], [shower drain], [18" grab bar], [12" grab bar], [folding seat], [T-shaped EverDam]. If applicable, please indicate location of additional accessories on drawing
6. Accessory Style: [Flanged]
7. Accessory Finish: [Standard Satin Stainless], [Matte Black], [Polished Stainless] [White], [Custom]

### Drain Placement\*

Model SS3838MA0LP

### Optional/Standalone Accessories†

<input type="checkbox"/> <b>CR3601F</b>	<i>Flanged Curtain Rod</i>	<input type="checkbox"/> <b>SB1200F</b>	<i>12" flanged grab bar</i>
<input type="checkbox"/> <b>EF-4872-SC</b>	<i>Shower Curtain</i>	<input type="checkbox"/> <b>RS32155</b>	<i>32" x 15.5" Rectangular Shaped Wall Hung Seat</i>
<input type="checkbox"/> <b>EF-0000-SD</b>	<i>Recessed Soap Dish</i>	<input type="checkbox"/> <b>EF-0000-EP</b>	<i>12 oz epoxy canister</i>
<input type="checkbox"/> <b>EF-0000-CCS</b>	<i>Composite Corner Shelf</i>	<input type="checkbox"/> <b>EF-0000-DA</b>	<i>Brass body no-caulk shower drain assembly</i>
<input type="checkbox"/> <b>EF-0000-SK</b>	<i>Shower Slide-Bar Kit</i>	<input type="checkbox"/> <b>EF-0060-ED</b>	<i>T-Shaped EverDam Kit</i>
<input type="checkbox"/> <b>SB1800F</b>	<i>18" flanged grab bar</i>		

*†If applicable, please select accessory style and finish from options below. If non-standard accessory is selected, please also indicate desired location(s) on drawing.*

### Accessory Style

Flanged

### Accessory Finish

- Satin Stainless (Standard)
- Matte Black
- Polished Stainless
- White
- Custom, please specify:



Affordable Housing  
**SHOWERS.com**  
by ORCA HealthCare

[www.affordablehousingshowers.com](http://www.affordablehousingshowers.com)

**Quotes and inquiries:**

1-888-286-8030

info@affordablehousingshowers.com