

Project Name		Customer Name	
Quote Number		Date	
Customization			

Standard Features

Type	One-piece curbed shower with mold- ed shelves and LH or RH return flange
Color	White
Exterior Dimensions	46-1/2"W x 32-1/4"D x 78-1/2"H
Materials	Gel coat and fiberglass composite
Approximate Weight	145 lbs

Certifications and Accessibility Code Compliance



Uniform Plumbing
Code



CSA B45.5-11 / IAPMO
Z124-2017

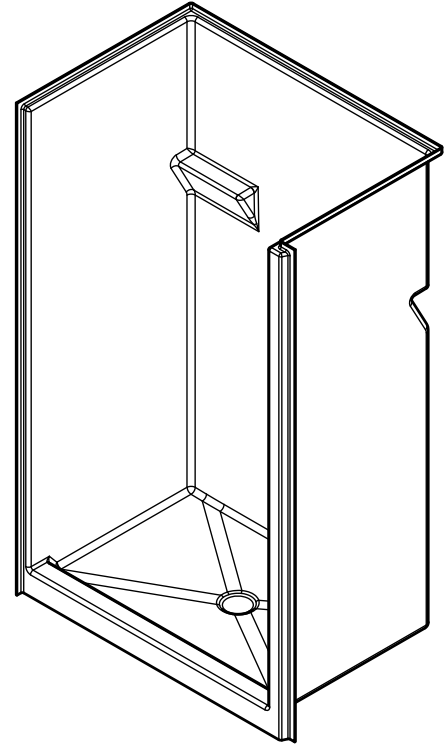


ANSI

ICC ANSI A117.1
2017 Section 1104



HUD / FHA

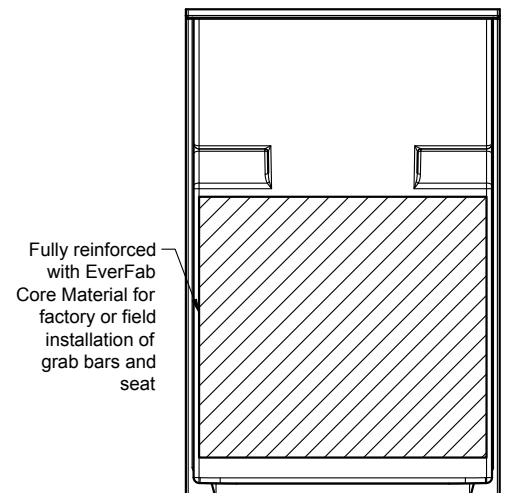
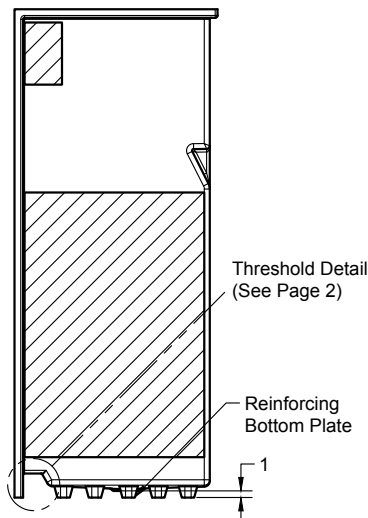
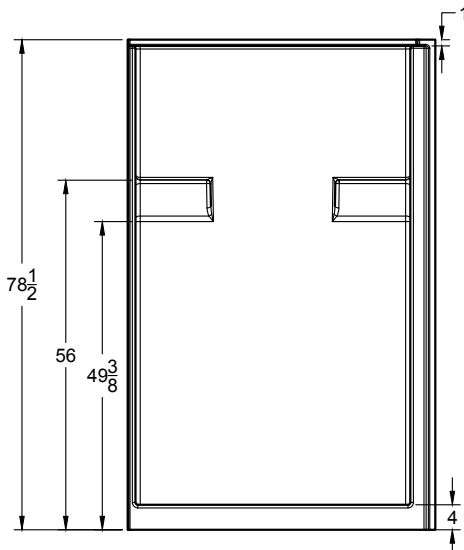
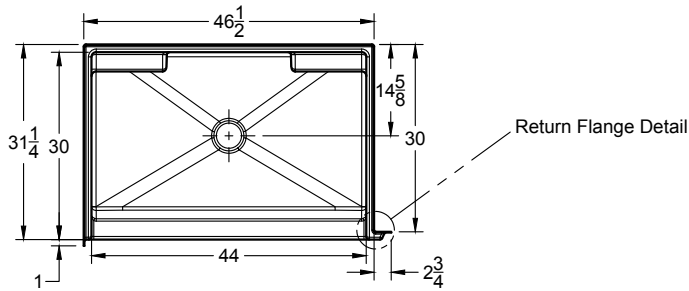


Warranty

30 Year Limited

Reinforcement

Reinforced with EverFab's unique composite core material according to ICC ANSI A117.1 2017 Section 1104 requirements



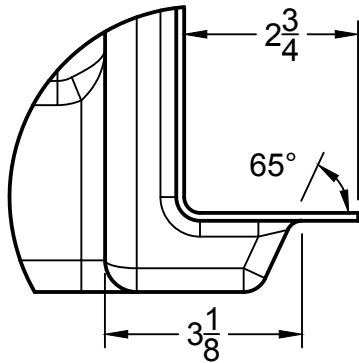
Affordable Housing
SHOWERS.com
by ORCA HealthCare

www.affordablehousingshowers.com

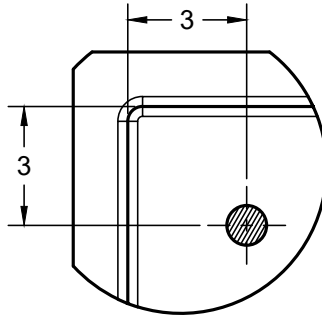
Quotes and inquiries:
1-888-286-8030

info@affordablehousingshowers.com

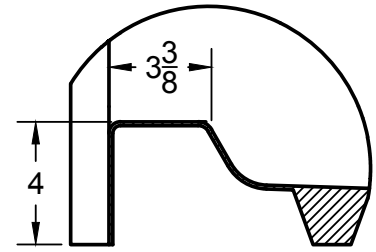
Detail Views



Return Flange



Standard Curtain Rod



Threshold

Architectural Specifications

A. Shower Stall:

1. Model: No. SS4631RFB-L/R
2. Description: One-piece shower stall with reinforcing bottom plate, slip-resistant floor, molded soap ledges, LH or RH return flange, and inorganic composite reinforcement capable of meeting ANSI A117.1 Section 1104 accessibility requirements
3. Exterior dimensions: 46-1/2 inches wide x 32-1/4 inches deep x 78-1/2 inches high
4. Rough-in: +1/8" -0" nominal dimensions
5. Optional Accessories: Furnish with [curtain rod], [shower curtain], [shower slide-bar kit], [EverFab tub-wrap], [shower drain], [18" grab bar], [24" grab bar], [folding seat]. If applicable, please indicate location of additional accessories on drawing
6. Accessory Style: [Standard Thru-Bolted], [Flanged], [Anti-Ligature], [Custom]
7. Accessory Finish: [Standard Satin Stainless], [Matte Black], [Polished Stainless] [White], [Custom]



Affordable Housing
SHOWERS.com
 by ORCA HealthCare

www.affordablehousingshowers.com

Quotes and inquiries:

1-888-286-8030

info@affordablehousingshowers.com

Optional/Standalone Accessories†

<input type="checkbox"/> CR4401T	Thru-bolted Curtain Rod			
<input type="checkbox"/> EF-4872-SC	Shower Curtain			
<input type="checkbox"/> SB1800T	18" thru-bolted grab bar			
<input type="checkbox"/> SB2400T	24" thru-bolted grab bar			
<input type="checkbox"/> EF-0000-SK	Shower Slide-Bar Kit			
<input type="checkbox"/> EF-0000-DA	Shower Drain			

†If applicable, please select accessory style and finish from options below. If non-standard accessory is selected, please also indicate desired location(s) on drawing.

Accessory Style

- Thru-bolted (Standard), model number ends in 'T'
- Flanged, model number ends in 'F'
- Anti-ligature, model number ends in 'TL'

Accessory Finish

- Satin Stainless (Standard)
- Matte Black
- Polished Stainless
- White
- Custom, please specify: