

Project Name		Customer Name	
Quote Number		Date	
Customization			

Standard Features

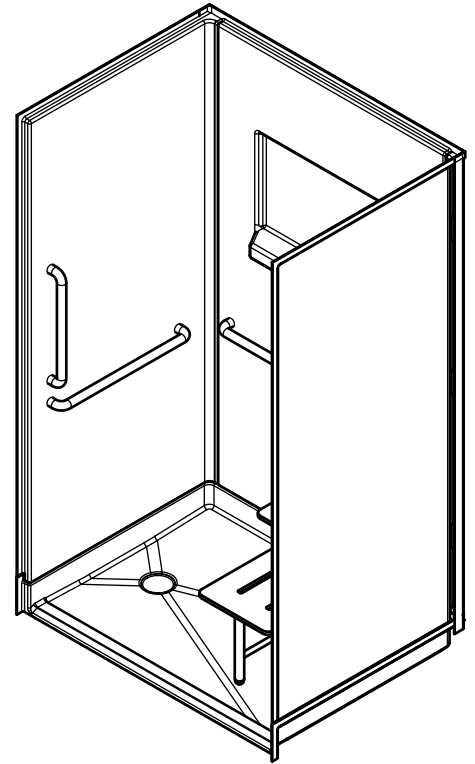
Type	Four-piece roll-in shower stall. Available in left or right hand drain configuration
Color	White
Exterior Dimensions	48"W x 36-1/8"D x 81-1/8"H
Materials	Gel coat and fiberglass composite
Approximate Weight	155 lbs

Certifications and Accessibility Code Compliance



Uniform Plumbing Code

CSA B45.5-11 / IAPMO Z124-2017

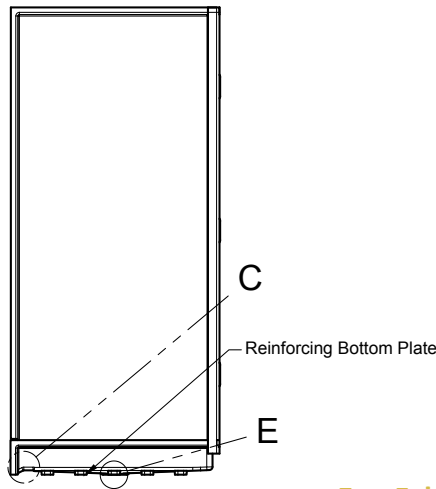
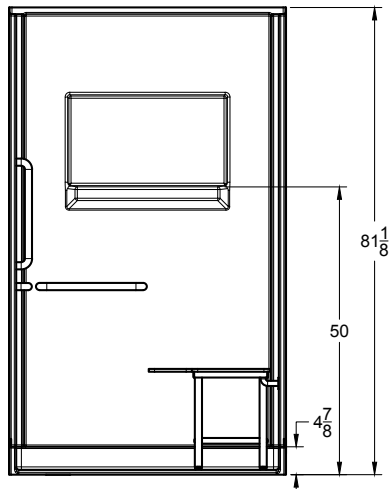
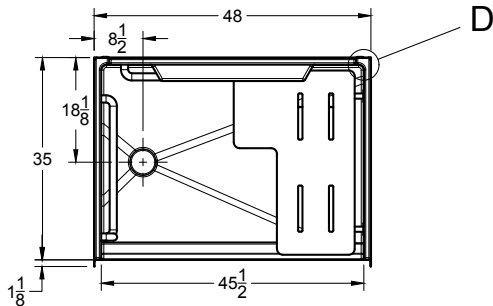


Warranty

30 Year Limited

Reinforcement

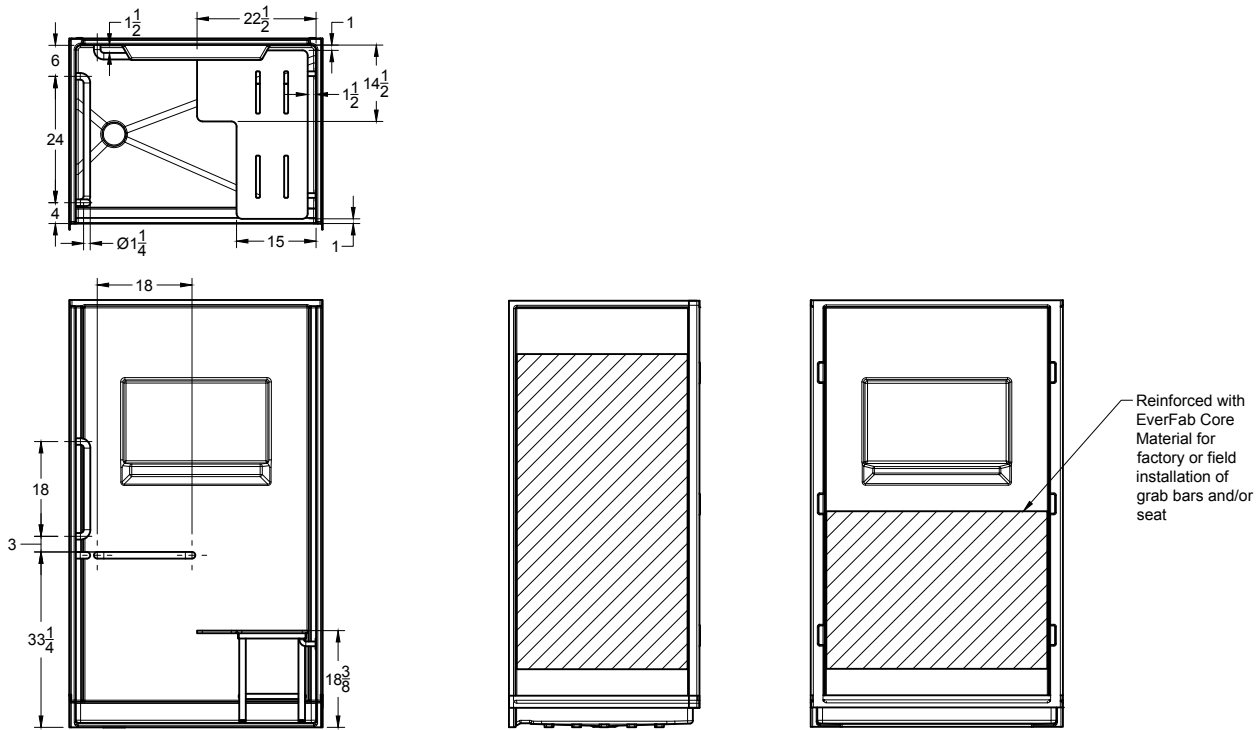
Fully reinforced with EverFab's unique composite core material which allows for factory or field installation of ADA compliant grab bars and seat



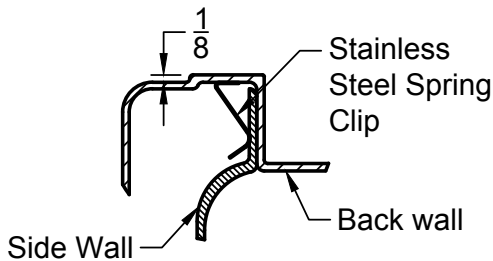
Affordable Housing SHOWERS.com
 by ORCA HealthCare
www.affordablehousingshowers.com
Quotes and inquiries:
 1-888-286-8030
 info@affordablehousingshowers.com

Due to the nature of the material, all measurements may vary by ± 3/8". Dimensions needed for site preparation should be measured from the unit.

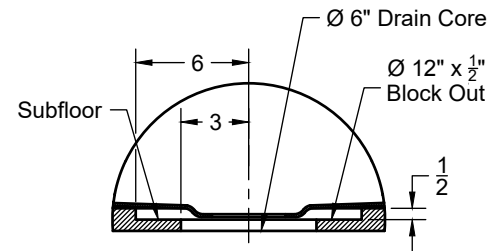
Reinforcement Location



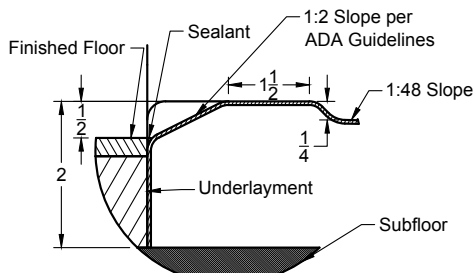
Detail D - Wall Joint



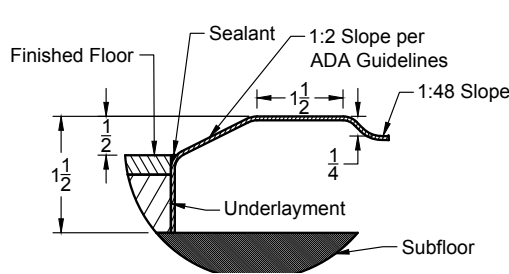
Detail E - Drain Block Out



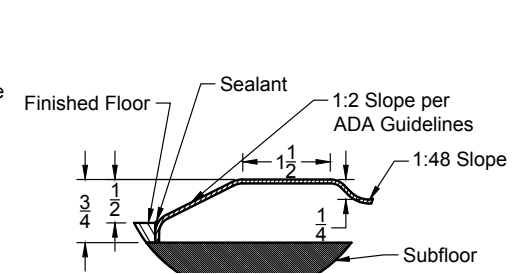
Detail C - Standard Threshold



Detail C - Low Profile Threshold



Detail C - No Recess Threshold

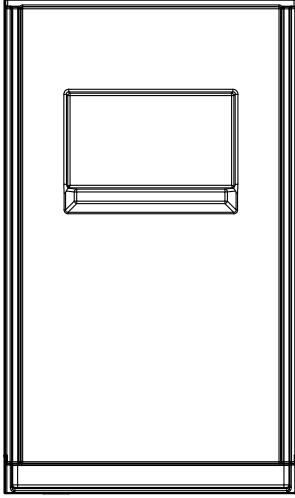


Architectural Specifications

A. Shower Stall:

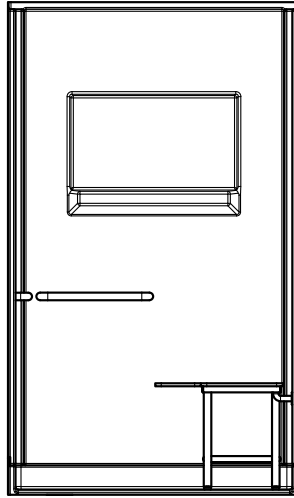
1. Model No.: SS4835MA-L/R
2. Description: Four-piece roll-in shower stall with reinforcing bottom plate and inorganic composite reinforcement
3. Exterior dimensions: 48 inches wide x 36-1/8 inches deep x 81 - 1/8 inches high
4. Rough-in: +1/8" -0" nominal dimensions
5. Optional Accessories: Furnish with [Slide-bar kit], [shower drain], [18" grab bar], [24" grab bar], [folding seat], [T-shaped EverDam]. If applicable, please indicate location of additional accessories on drawing
6. Accessory Finish: [Standard Satin Stainless], [Matte Black], [Polished Stainless] [White], [Custom]

ADA Accessory Configurations (number following 'A' indicates configuration)



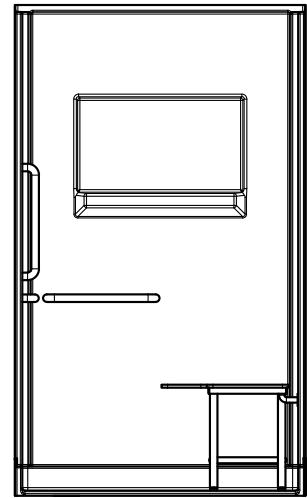
SS4835MA0

No Accessories



SS4835MA1-L

18" grab bar
24" grab bar
L-shaped seat



SS4835MA3-L

18" vertical grab bar
2 x 24" grab bars
L-shaped seat

Model Number Selection

	Accessory Configuration	Threshold Height	Seat/Drain Location**
SS4835MA	<input type="checkbox"/> 0	<input type="checkbox"/> Blank - Standard	<input type="checkbox"/> Blank - No Accessories
	<input type="checkbox"/> 1	<input type="checkbox"/> LP - Low Profile	<input type="checkbox"/> -L - Left Hand Drain, Right Hand Seat
	<input type="checkbox"/> 3	<input type="checkbox"/> NR - No Recess	<input type="checkbox"/> -R - Right Hand Drain, Left Hand Seat

**Side determined as if standing outside the unit looking in

Optional/Standalone Accessories†

<input type="checkbox"/> CR45501F	Flanged Curtain Rod	<input type="checkbox"/> EF-0000-EP	12 oz epoxy canister
<input type="checkbox"/> EF-7272-SC	Shower Curtain	<input type="checkbox"/> EF-0000-DA	Brass body no-caulk shower drain assembly
<input type="checkbox"/> EF-0000-SK	Shower Slide-Bar Kit	<input type="checkbox"/> EF-0060-ED	T-Shaped EverDam Kit
<input type="checkbox"/> SB1800F	18" flanged grab bar		
<input type="checkbox"/> SB2400F	24" flanged grab bar		
<input type="checkbox"/> LS32225	32" x 22.5" L-Shaped Shaped Wall Hung Seat		

†If applicable, please select accessory style and finish from options below. If non-standard accessory is selected, please also indicate desired location(s) on drawing.

Accessory Style

- Thru-Bolted (model ends in 'T')
- Field Installed Flanged (model ends in 'F')

Accessory Finish

- Satin Stainless (Standard)
- Matte Black
- Polished Stainless
- White
- Custom, please specify:



Affordable Housing
SHOWERS.com
by ORCA HealthCare

www.affordablehousingshowers.com

Quotes and inquiries:

1-888-286-8030

info@affordablehousingshowers.com