

Project Name		Customer Name	
Quote Number		Date	
Customization			

Standard Features

Type	One-piece curbed shower with simulated 12" x 24" tile design and molded shelves
Color	White
Exterior Dimensions	50-3/4"W x 38-5/8"D x 78-1/2"H
Materials	Gel coat and fiberglass composite
Approximate Weight	135 lbs

Certifications and Accessibility Code Compliance



Uniform Plumbing Code



CSA B45.5-11 / IAPMO Z124-2017



HUD / FHA

ANSI

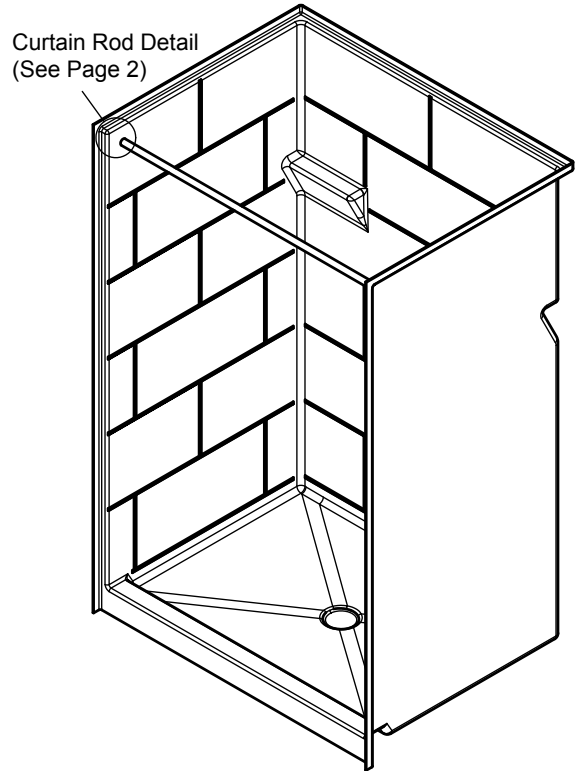
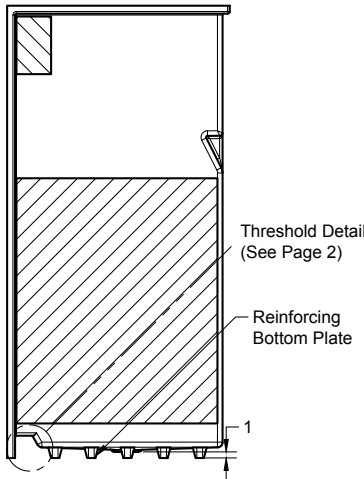
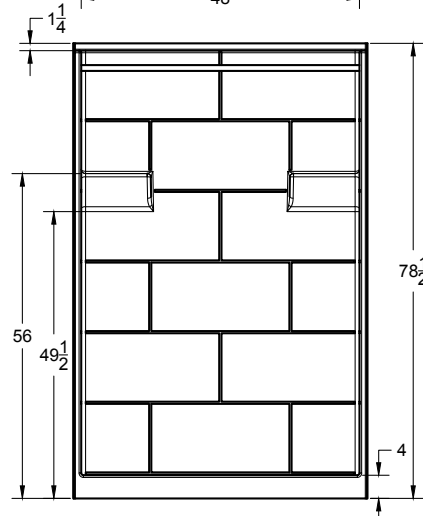
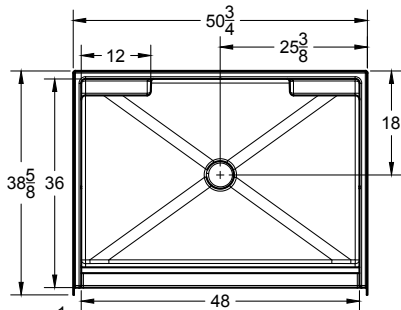
ICC A117.1 - 2017
ANSI Type B

Warranty

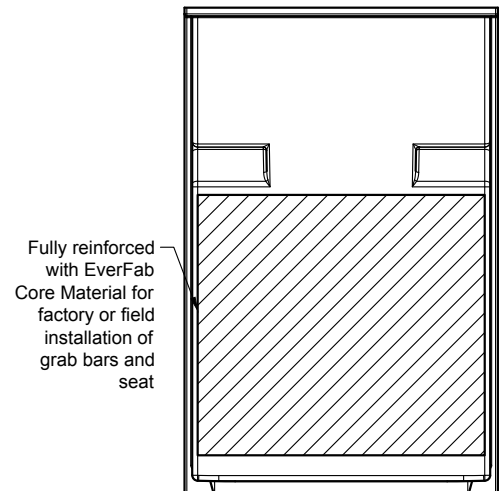
30 Year Limited

Reinforcement

Reinforced with EverFab's unique composite core material according to FHA and ANSI Type B Unit requirements



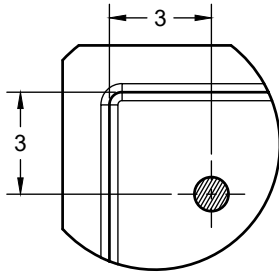
 **Affordable Housing SHOWERS.com**
by ORCA HealthCare
www.affordablehousingshowers.com
Quotes and inquiries:
1-888-286-8030
info@affordablehousingshowers.com



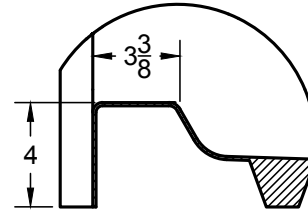
Fully reinforced with EverFab Core Material for factory or field installation of grab bars and seat

Due to the nature of the material, all measurements may vary by ± 3/8".
Dimensions needed for site preparation should be measured from the unit.

Additional Details



Standard Curtain Rod Location



Threshold

Architectural Specifications

A. Shower Stall:

1. Model: No. SS5139TB
2. Description: One-piece shower stall with reinforcing bottom plate, slip-resistant floor, 12 inch x 24 inch simulated tile, molded soap ledges, and inorganic composite reinforcement capable of meeting FHA and ANSI Type B Unit accessibility requirements
3. Exterior dimensions: 50-3/4 inches wide x 38-5/8 inches deep x 78-1/2 inches high
4. Rough-in: +1/8" -0" nominal dimensions
5. Optional Accessories: Furnish with [curtain rod], [shower curtain], [recessed soap dish], [composite corner shelf], [shower slide-bar kit], [shower drain], [18" grab bar], [24" grab bar], [folding seat]. If applicable, please indicate location of additional accessories on drawing
6. Accessory Style: [No Accessories], [Standard Thru-Bolted], [Flanged], [Elite Series], [Anti-Ligature], [Custom]
7. Accessory Finish: [No Accessories], [Standard Satin Stainless], [Matte Black], [Polished Stainless] [White], [Custom]

Optional/Standalone Accessories†

<input type="checkbox"/> CR4801T	Thru-bolted Curtain Rod	<input type="checkbox"/> SB1800T	18" grab bar
<input type="checkbox"/> EF-4872-SC	Shower Curtain	<input type="checkbox"/> SB2400T	24" grab bar
<input type="checkbox"/> EF-0000-SD	Recessed Soap Dish		
<input type="checkbox"/> EF-0000-CCS	Composite Corner Shelf		
<input type="checkbox"/> EF-0000-SK	Shower Slide-Bar Kit		
<input type="checkbox"/> EF-0000-DA	Shower Drain		

†If applicable, please select accessory style and finish from options below. If non-standard accessory is selected, please also indicate desired location(s) on drawing.

Accessory Style

- Thru-bolted (Standard)
- Flanged
- Anti-ligature

Accessory Finish

- Satin Stainless (Standard)
- Matte Black
- Polished Stainless
- White
- Custom, please specify:



Affordable Housing
SHOWERS.com
by ORCA HealthCare

www.affordablehousingshowers.com

Quotes and inquiries:

1-888-286-8030

info@affordablehousingshowers.com