

| | | | |
|---------------|--|---------------|--|
| Project Name | | Customer Name | |
| Quote Number | | Date | |
| Customization | | | |

Standard Features

| | |
|---------------------|-----------------------------------|
| Type | One-piece curbed shower stall |
| Color | White |
| Exterior Dimensions | 51"W x 41-3/8"D x 79-1/4"H |
| Materials | Gel coat and fiberglass composite |
| Approximate Weight | 145 lbs |

Certifications and Accessibility Code Compliance



Uniform Plumbing Code



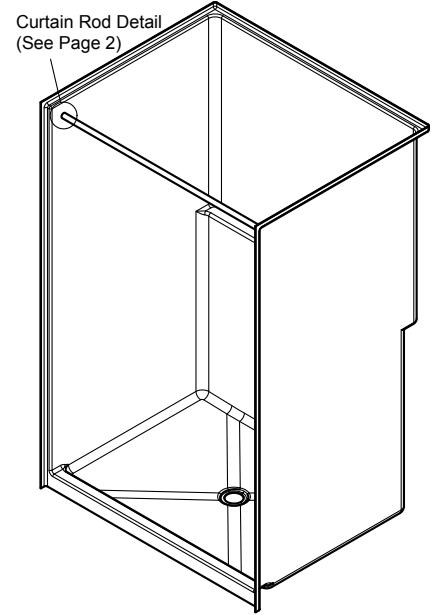
CSA B45.5-11 / IAPMO Z124-2017



HUD / FHA

ANSI

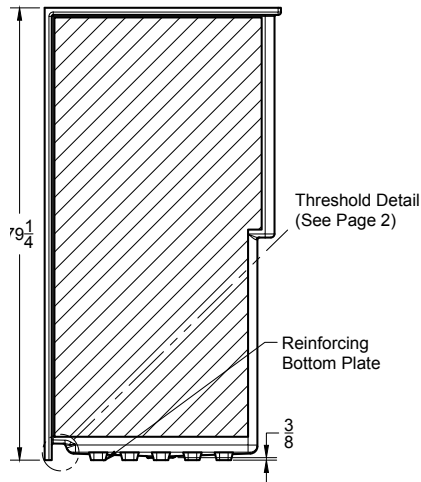
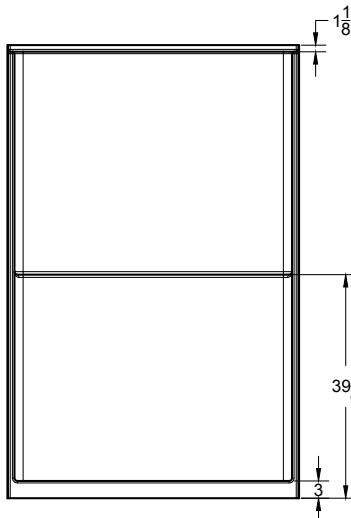
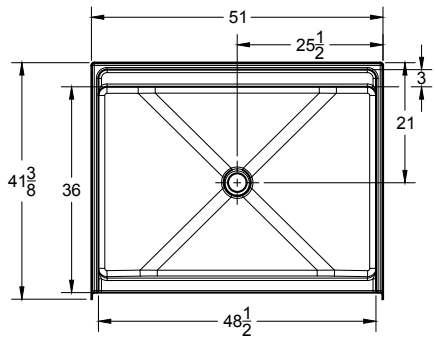
ICC A117.1 - 2017
ANSI Type B



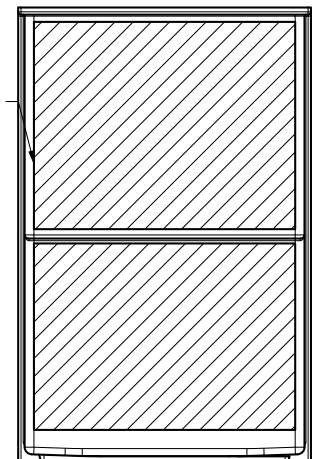
Warranty

30 Year Limited

Reinforcement



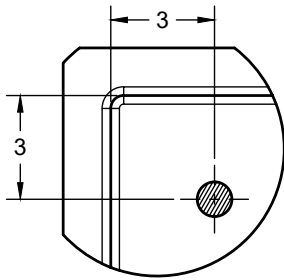
Fully reinforced with EverFab core material for factory or field installation of grab bars and seat



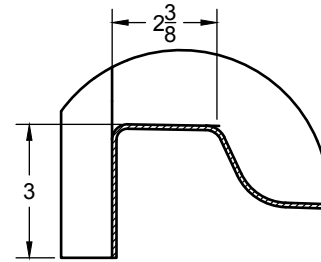
Affordable Housing SHOWERS.com
by ORCA HealthCare
www.affordablehousingshowers.com
Quotes and inquiries:
1-888-286-8030
info@affordablehousingshowers.com

Due to the nature of the material, all measurements may vary by $\pm 3/8"$.
Dimensions needed for site preparation should be measured from the unit.

Additional Details



Standard Curtain Rod Location



Threshold

Architectural Specifications

A. Shower Stall:

1. Model: No. SS5141B
2. Description: One-piece shower stall with reinforcing bottom plate, slip-resistant floor, and inorganic composite reinforcement capable of meeting FHA and ANSI Type B Unit accessibility requirements
3. Exterior dimensions: 51 inches wide x 41-3/8 inches deep x 79-1/4 inches high
4. Rough-in: +1/8" -0" nominal dimensions
5. Optional Accessories: Furnish with [curtain rod], [shower curtain], [recessed soap dish], [composite corner shelf], [shower slide-bar kit], [EverFab tub-wrap], [shower drain], [18" grab bar], [24" grab bar], [folding seat]. If applicable, please indicate location of additional accessories on drawing
6. Accessory Style: [Standard Thru-Bolted], [Flanged], [Elite Series], [Anti-Ligature], [Custom]
7. Accessory Finish: [Standard Satin Stainless], [Matte Black], [Polished Stainless] [White], [Custom]

Optional/Standalone Accessories†

| | | | | | |
|--------------------------|--------------------|-------------------------|--------------------------|----------------|--------------|
| <input type="checkbox"/> | CR48501T | Thru-bolted Curtain Rod | <input type="checkbox"/> | SB1800T | 18" grab bar |
| <input type="checkbox"/> | EF-4872-SC | Shower Curtain | <input type="checkbox"/> | SB2400T | 24" grab bar |
| <input type="checkbox"/> | EF-0000-SD | Recessed Soap Dish | | | |
| <input type="checkbox"/> | EF-0000-CCS | Composite Corner Shelf | | | |
| <input type="checkbox"/> | EF-0000-SK | Shower Slide-Bar Kit | | | |
| <input type="checkbox"/> | EF-0000-DA | Shower Drain | | | |

†If applicable, please select accessory style and finish from options below. If non-standard accessory is selected, please also indicate desired location(s) on drawing.

Accessory Style

- Thru-bolted (Standard)
- Flanged
- Anti-ligature

Accessory Finish

- Satin Stainless (Standard)
- Matte Black
- Polished Stainless
- White
- Custom, please specify:



Affordable Housing
SHOWERS.com
by ORCA HealthCare

www.affordablehousingshowers.com

Quotes and inquiries:

1-888-286-8030

info@affordablehousingshowers.com