

Project Name		Customer Name	
Quote Number		Date	
Customization			

Standard Features

Type	Four-piece roll-in shower stall. Available in left or right drain configurations
Color	White
Exterior Dimensions	60"W x 33-1/4"D x 81-1/8"H
Materials	Gel coat and fiberglass composite
Approximate Weight	175 lbs

Certifications and Accessibility Code Compliance



Uniform Plumbing Code

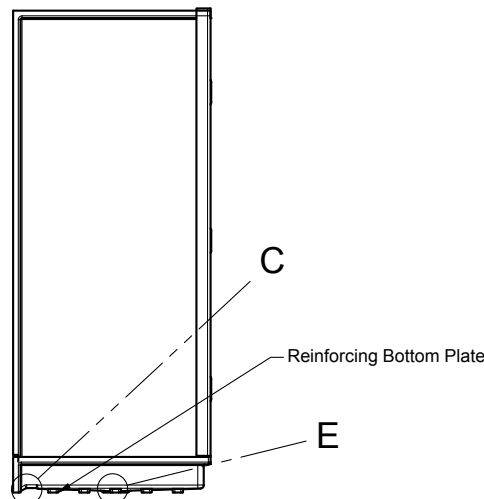
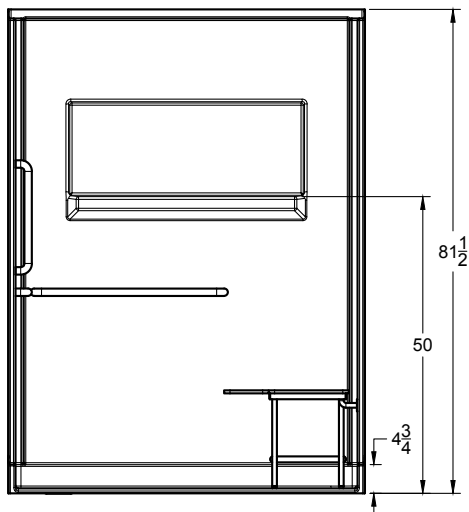
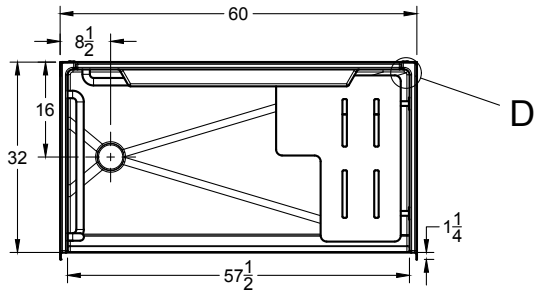
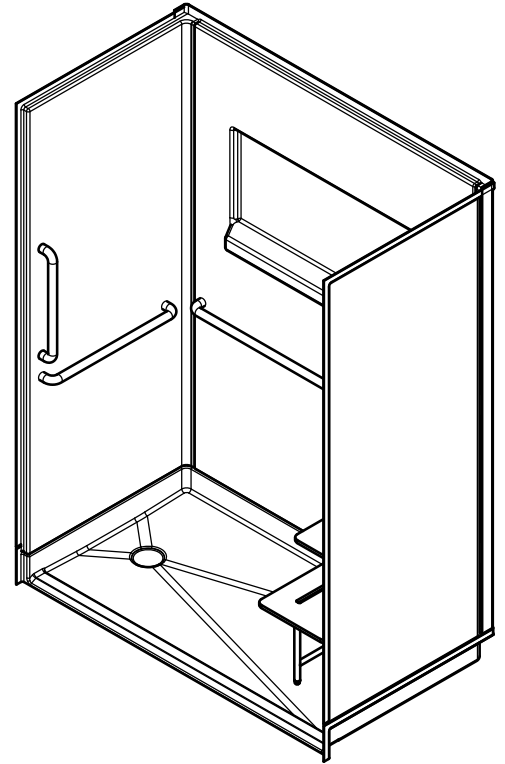
CSA B45.5-11 / IAPMO Z124-2017

Warranty

30 Year Limited

Reinforcement

Fully reinforced with EverFab's unique composite core material which allows for factory or field installation of ADA compliant grab bars and seat



Affordable Housing
SHOWERS.com
 by ORCA HealthCare

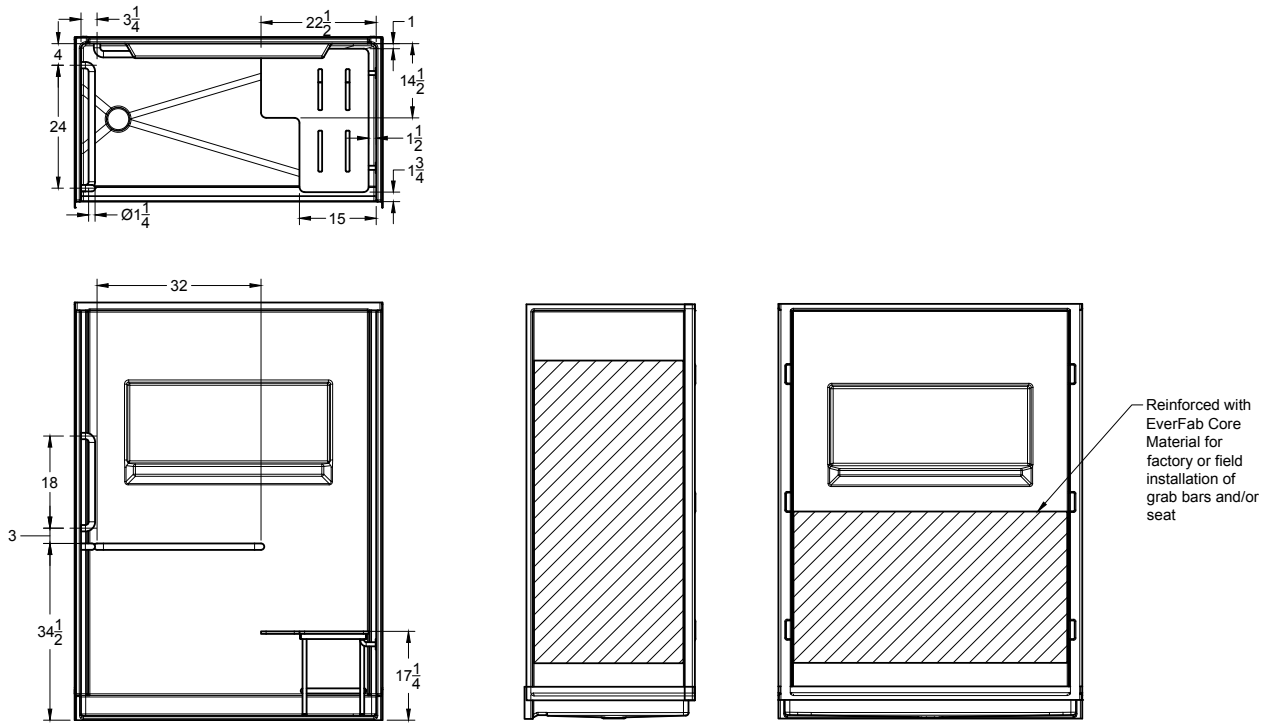
www.affordablehousingshowers.com

Quotes and inquiries:

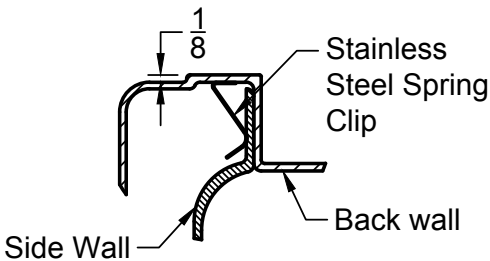
1-888-286-8030

info@affordablehousingshowers.com

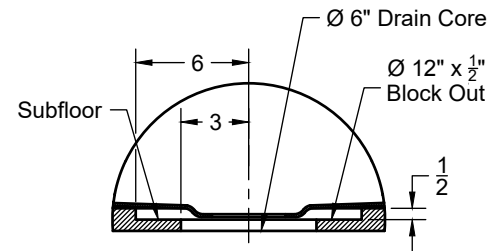
Reinforcement Location



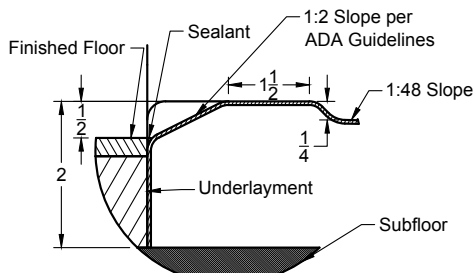
Detail D - Wall Joint



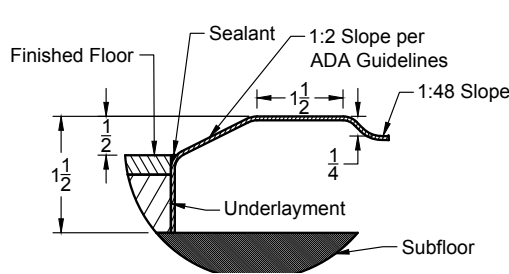
Detail E - Drain Block Out



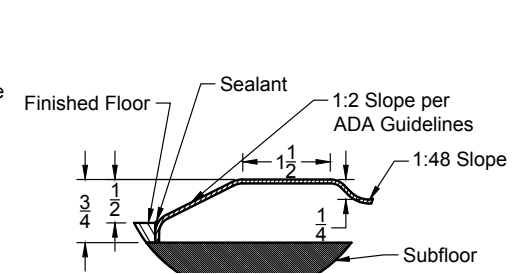
Detail C - Standard Threshold



Detail C - Low Profile Threshold



Detail C - No Recess Threshold

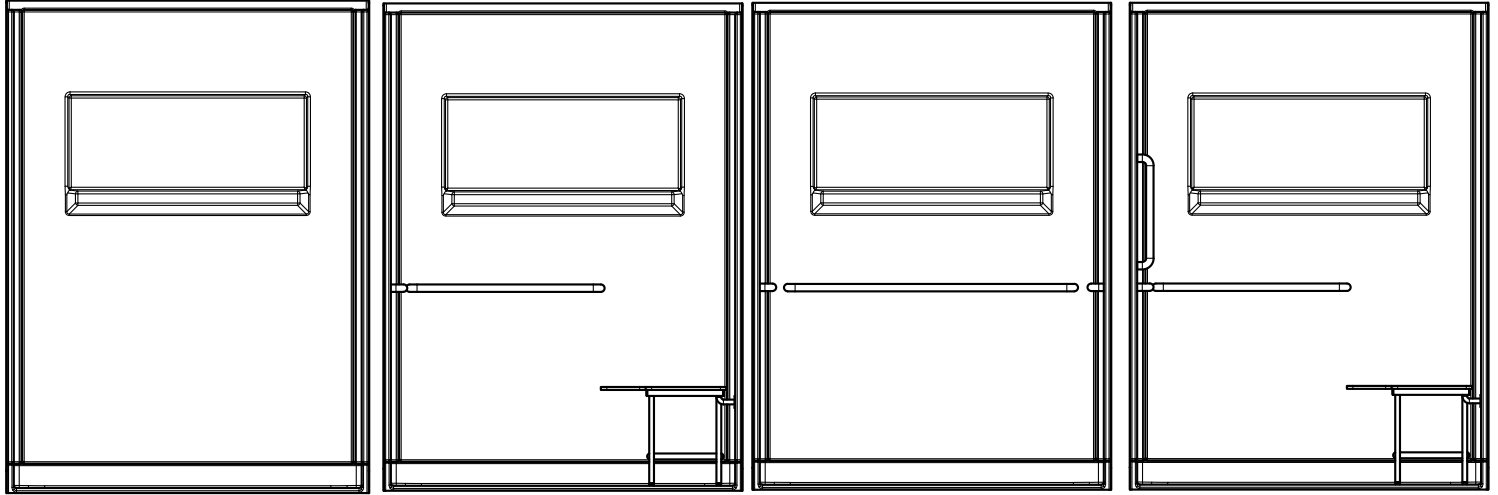


Architectural Specifications

A. Shower Stall:

1. Model: No. SS6032MA
2. Description: Four-piece roll-in shower stall with reinforcing bottom plate, and inorganic composite reinforcement
3. Exterior dimensions: 60 inches wide x 33-1/4 inches deep x 81 - 1/8 inches high
4. Rough-in: +1/8" -0" nominal dimensions
5. Optional Accessories: Furnish with [Slide-bar kit], [shower drain], [24" grab bar], [32" grab bar], [48" grab bar], [folding seat], [T-shaped EverDam]. If applicable, please indicate location of additional accessories on drawing
6. Accessory Finish: [Standard Satin Stainless], [matte Black], [Polished Stainless] [White], [Custom]

ADA Accessory Configurations (number following 'A' indicates configuration)



SS6032MA0	SS6032MA1-L	SS6032MA2	SS6032MA3-L
No Accessories	24" grab bar 32" grab bar L-shaped seat	2 x 24" grab bars 48" grab bar	18" vertical grab bar 24" grab bar 32" grab bar L-shaped seat

Model Number Selection

	Accessory Configuration	Threshold Height	Seat/Drain Location**
SS6032MA	<input type="checkbox"/> 0	<input type="checkbox"/> Blank - Standard	<input type="checkbox"/> Blank - No Accessories
	<input type="checkbox"/> 1	<input type="checkbox"/> LP - Low Profile	<input type="checkbox"/> -L - Left Hand Drain, Right Hand Seat
	<input type="checkbox"/> 2	<input type="checkbox"/> NR - No Recess	<input type="checkbox"/> -R - Right Hand Drain, Left Hand Seat
	<input type="checkbox"/> 3		

**Side determined as if standing outside the unit looking in

Optional/Standalone Accessories†

<input type="checkbox"/> CR572501F	Flanged Curtain Rod	<input type="checkbox"/> SB4800F	48" flanged grab bar
<input type="checkbox"/> EF-7272-SC	Shower Curtain	<input type="checkbox"/> LS28225	28" x 22.5" L-Shaped Shaped Wall Hung Seat
<input type="checkbox"/> EF-0000-SK	Shower Slide-Bar Kit	<input type="checkbox"/> EF-0000-EP	12 oz epoxy canister
<input type="checkbox"/> SB1800F	18" flanged grab bar	<input type="checkbox"/> EF-0000-DA	Brass body no-caulk shower drain assembly
<input type="checkbox"/> SB2400F	24" flanged grab bar	<input type="checkbox"/> EF-0060-ED	T-Shaped EverDam Kit
<input type="checkbox"/> SB3200F	32" flanged grab bar		

†If applicable, please select accessory style and finish from options below. If non-standard accessory is selected, please also indicate desired location(s) on drawing.

Accessory Style

- Thru-Bolted (model ends in 'T')
- Field Installed Flanged (model ends in 'F')

Accessory Finish

- Satin Stainless (Standard)
- Matte Black
- Polished Stainless
- White
- Custom, please specify:



Affordable Housing
SHOWERS.com
by ORCA HealthCare

www.affordablehousingshowers.com
Quotes and inquiries:
1-888-286-8030
info@affordablehousingshowers.com