

Project Name		Customer Name	
Quote Number		Date	
Customization			

Standard Features

Type	Four-piece shower stall available in left, right, or center drain configuration.
Color	White
Exterior Dimensions	60"W x 32"D x 74-7/8"H
Materials	Gel coat and fiberglass composite
Approximate Weight	150 lbs

Certifications and Accessibility Code Compliance

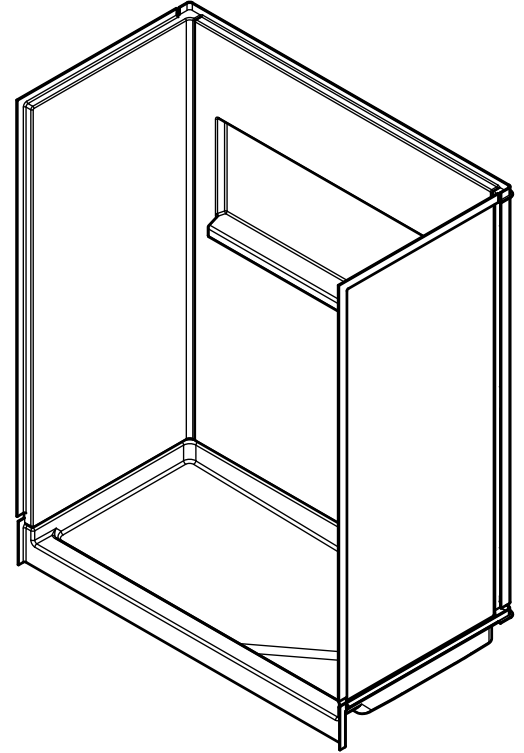


ANSI

Uniform Plumbing Code

CSA B45.5-11 / IAPMO Z124-2017

ICC A117.1 - 2017
ANSI Type B

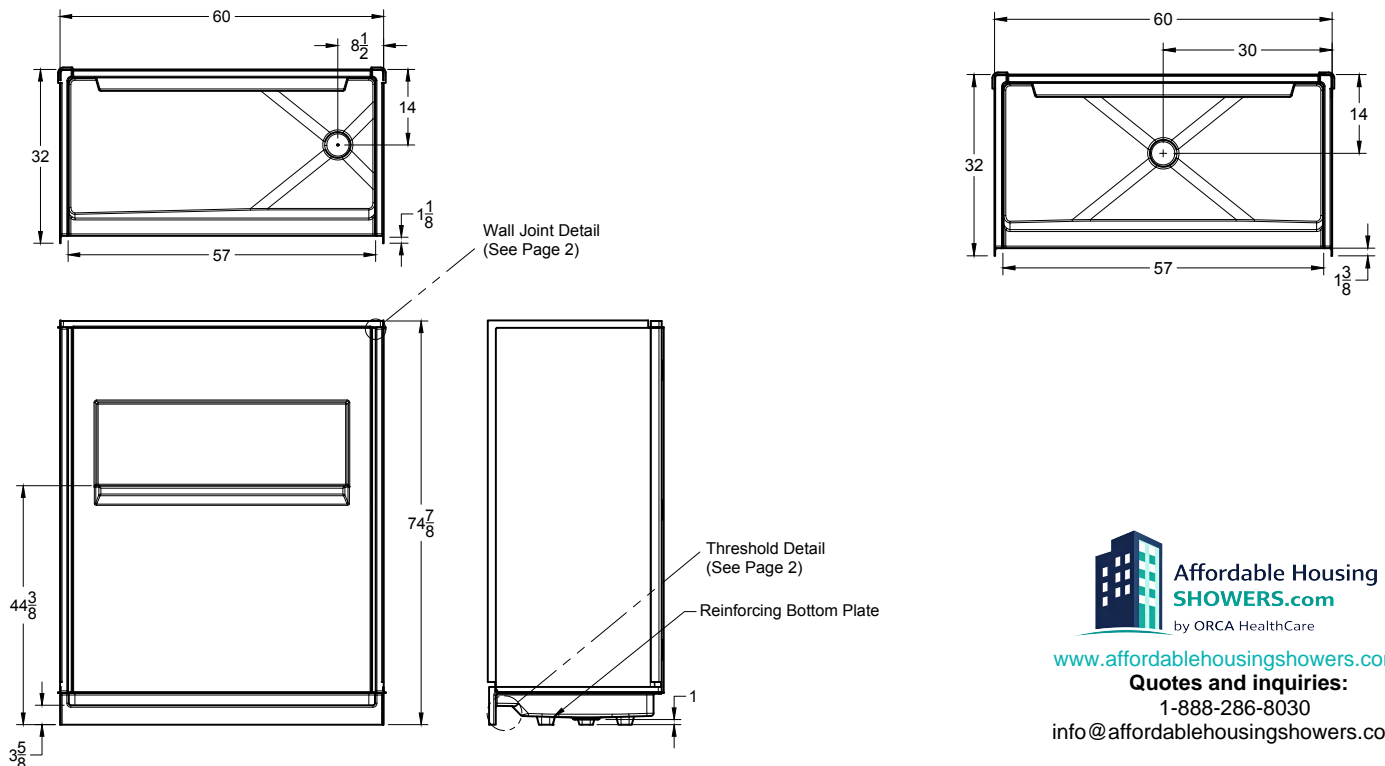


Warranty

30 Year Limited

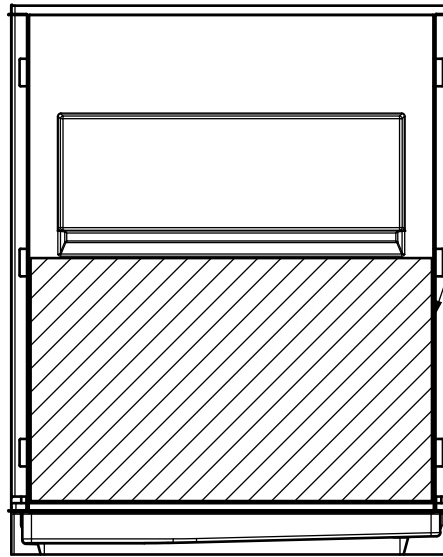
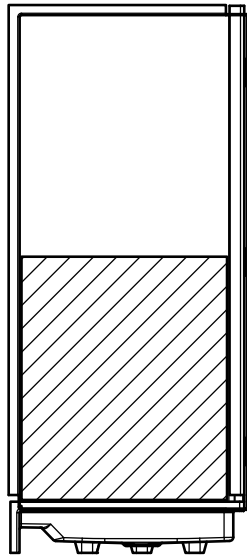
Reinforcement

Fully reinforced with EverFab's unique composite core material which allows for factory or field installation of ANSI B compliant grab bars and seat



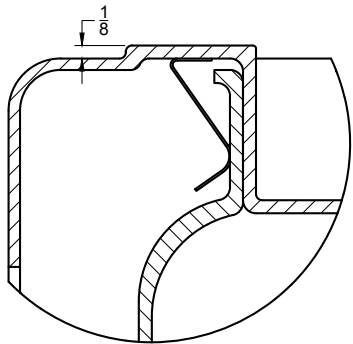
by ORCA HealthCare
www.affordablehousingshowers.com
Quotes and inquiries:
1-888-286-8030
info@affordablehousingshowers.com

Reinforcement Location

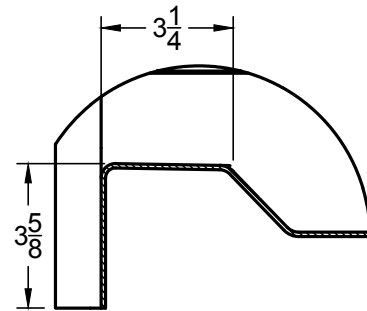


Reinforced with EverFab core material for factory or field installation of grab bars and seat

Detailed Views



Wall Joint



Threshold

Architectural Specifications

A. Shower Stall:

1. Model: No. SS6032MB-L/R
2. Description: Four-piece shower stall with reinforcing bottom plate, and inorganic composite reinforcement
3. Exterior dimensions: 60 inches wide x 32 inches deep x 74 - 7/8 inches high
4. Rough-in: +1/8" -0" nominal dimensions
5. Optional Accessories: Furnish with [shower slide-bar kit], [shower drain]. If applicable, please indicate location of additional accessories on drawing
6. Accessory Style: [Standard Thru-Bolted], [Flanged], [Elite Series] [Anti-Ligature], [Custom]
7. Accessory Finish: [Standard Satin Stainless], [matte Black], [Polished Stainless] [White], [Custom]

Drain Placement*

- Left - Model SS6032MB-L
 Right - Model SS6032MB-R
 Center - Model SS6032MB

Optional/Standalone Accessories†

- | | | | |
|---|--------------------------------|---|-----------------------------------|
| <input type="checkbox"/> CR56501T | <i>Thru-bolted Curtain Rod</i> | <input type="checkbox"/> SB2400T | <i>24" grab bar</i> |
| <input type="checkbox"/> EF-7272-SC | <i>Shower Curtain</i> | <input type="checkbox"/> RS21155 | <i>21" x 15.5" Wall Hung Seat</i> |
| <input type="checkbox"/> EF-0000-SD | <i>Recessed Soap Dish</i> | | |
| <input type="checkbox"/> EF-0000-CCS | <i>Composite Corner Shelf</i> | | |
| <input type="checkbox"/> EF-0000-SK | <i>Shower Slide-Bar Kit</i> | | |
| <input type="checkbox"/> SB1800T | <i>18" grab bar</i> | | |

†If applicable, please select accessory style and finish from options below. If non-standard accessory is selected, please also indicate desired location(s) on drawing.

Accessory Style

- Thu-bolted (Standard)
 Flanged
 Anti-ligature

Accessory Finish

- Satin Stainless (Standard)
 Matte Black
 Polished Stainless
 White
 Custom, please specify:



Affordable Housing
SHOWERS.com
by ORCA HealthCare

www.affordablehousingshowers.com

Quotes and inquiries:

1-888-286-8030

info@affordablehousingshowers.com