

Project Name		Customer Name	
Quote Number		Date	
Customization			

### Standard Features

<b>Type</b>	One-piece roll-in type shower stall with shelf. Available in left or right hand configuration.
<b>Color</b>	White
<b>Exterior Dimensions</b>	63"W x 38"D x 79-1/2"H
<b>Materials</b>	Gel coat and fiberglass composite
<b>Approximate Weight</b>	140 lbs

### Certifications and Accessibility Code Compliance



Uniform Plumbing Code



CSA B45.5-11 / IAPMO Z124-2017



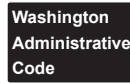
ADA



ICC A117.1 - 2017 ANSI Type A



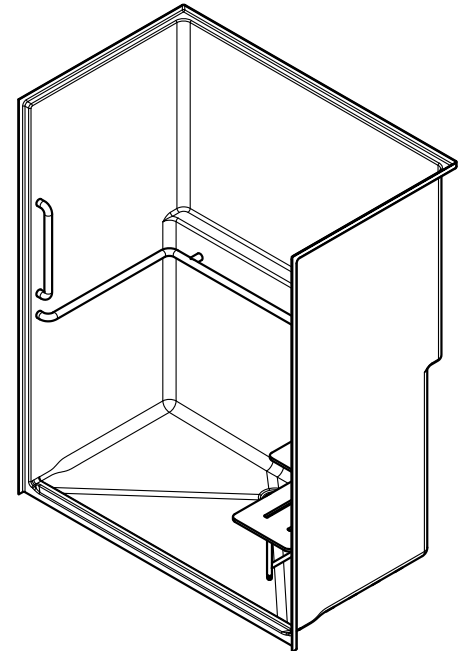
California Title 24



WAC 388-78A-3030



HUD / FHA

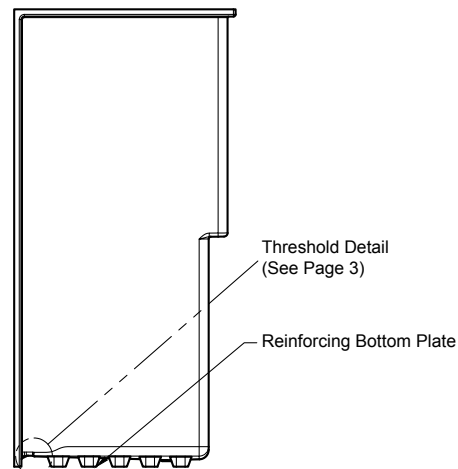
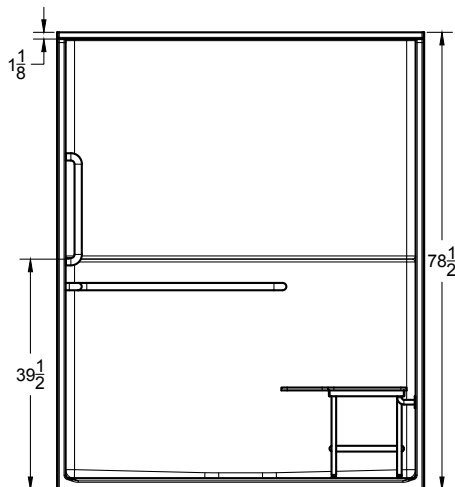
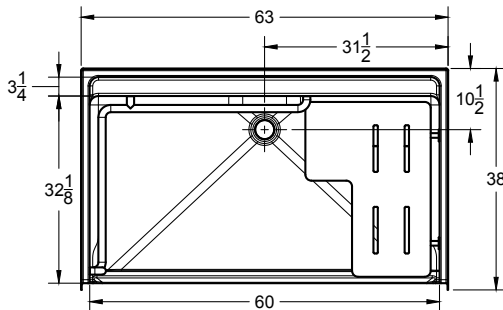


### Warranty

30 Year Limited

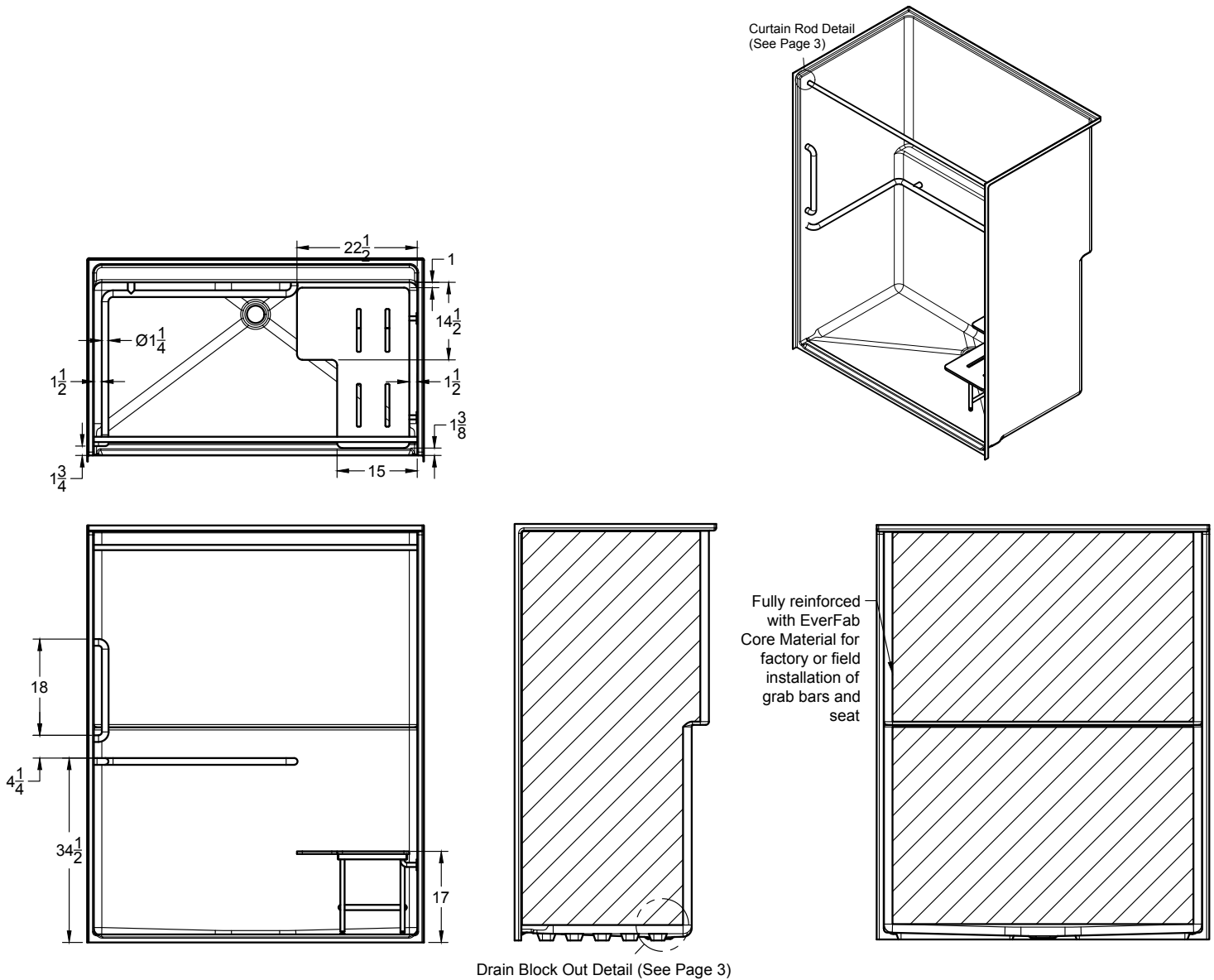
### Reinforcement

Fully reinforced with EverFab's unique composite core material which allows for factory or field installation of ADA compliant grab bars and seat



**Affordable Housing SHOWERS.com**  
by ORCA HealthCare  
[www.affordablehousingshowers.com](http://www.affordablehousingshowers.com)  
Quotes and inquiries:  
1-888-286-8030  
info@affordablehousingshowers.com

## ADA Accessory Dimensions

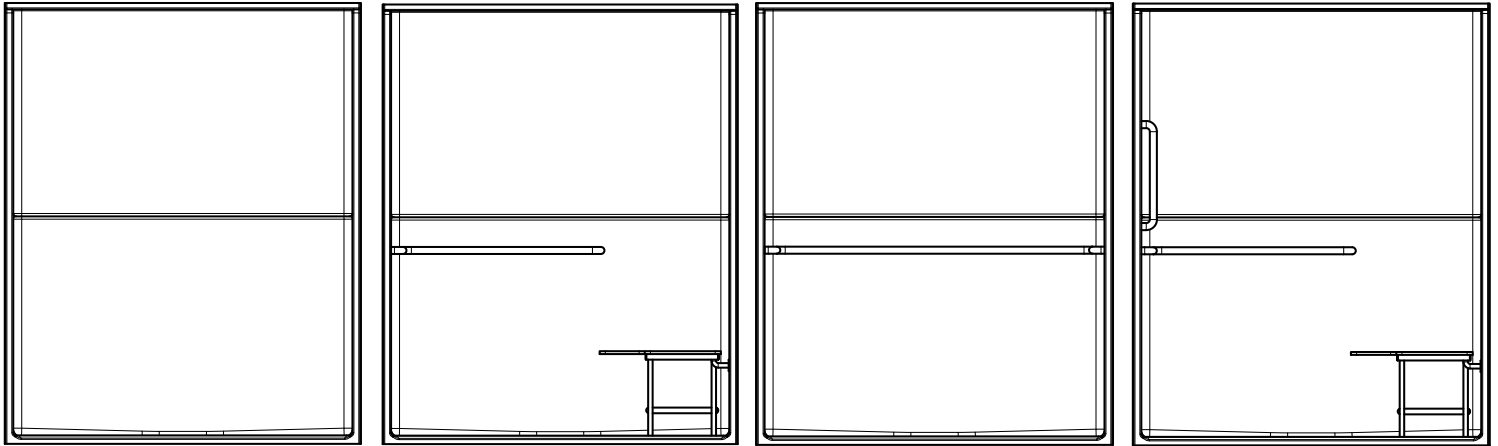


## Architectural Specifications

### A. Shower Stall:

1. Model: No. SS6338A-L/R
2. Description: One-piece shower stall with reinforcing bottom plate, slip-resistant floor, shelf, and inorganic composite reinforcement for placement of grab bars and seat
3. Exterior dimensions: 63 inches wide x 38 inches deep x 78-1/2 inches high
4. Rough-in: +1/8" -0" nominal dimensions
5. Threshold: [Standard] [Low Profile] [No-Recess] Threshold Detail
6. Accessibility Accessories: [A0] [A1] [A2] [A3] [Custom] accessory configuration
7. Optional Accessories: Furnish with [curtain rod], [shower curtain], [recessed soap dish], [composite corner shelf], [shower slide-bar kit], [EverFab tub-wrap], [shower drain], [18" grab bar], [24" grab bar], [folding seat], [T-shaped EverDam]. If applicable, please indicate location of additional accessories on drawing
8. Accessory Style: [A0 - No Accessories], [Standard Thru-Bolted], [Flanged], [Elite Series], [Anti-Ligature], [Custom]
9. Accessory Finish: [A0 - No Accessories], [Standard Satin Stainless], [Matte Black], [Polished Stainless] [White], [Custom]

**ADA Accessory Configurations (number following 'A' indicates configuration)**



**SS6338A0**

No Accessories

**SS6338A1-R**

L-shaped grab bar  
Seat

**SS6338A2**

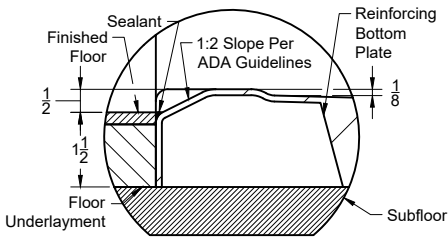
U-shaped grab bar

**SS6338A3-R**

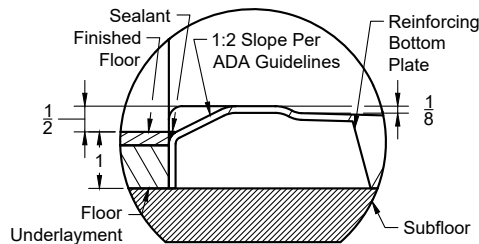
L-shaped grab bar  
Seat

18" vertical grab bar

**Threshold Details**

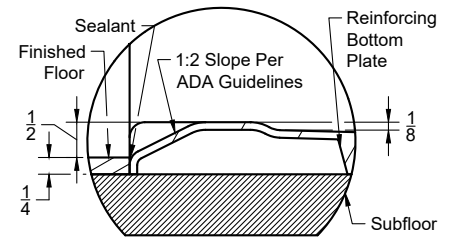


**Standard**



**Low-Profile**

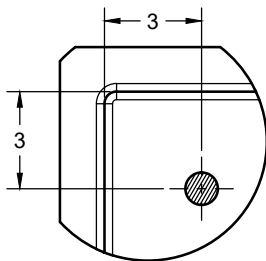
Model number followed with 'LP'



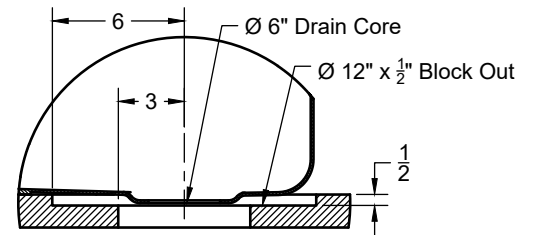
**No-Recess**

Model number followed with 'NR'

**Additional Details**



**Standard Curtain Rod Location**



**Drain Block-Out**

## Standard Threshold Model Configurations

Model Number	Pre-Installed L-Shaped Grab Bar	Pre-Installed 18" Vertical Grab Bar	Pre-Installed U-Shaped Grab Bar	Pre-Installed Folding Seat	Drain Block Out Required	Accessibility Code Compliance
<input type="checkbox"/> SS6338A0	No	No	No	No	No	Adaptable**
<input type="checkbox"/> SS6338A1	Yes	No	No	Yes	No	ADA, CA Title 24, WAC, HUD/FHA
<input type="checkbox"/> SS6338A2	No	No	Yes	No	No	ADA, CA Title 24, WAC, HUD/FHA
<input type="checkbox"/> SS6338A3	Yes	Yes	No	Yes	No	ADA, CA Title 24, WAC, ANSI, HUD/FHA

## Low Profile Threshold Model Configurations

Model Number	Pre-Installed L-Shaped Grab Bar	Pre-Installed 18" Vertical Grab Bar	Pre-Installed U-Shaped Grab Bar	Pre-Installed Folding Seat	Drain Block Out Required	Accessibility Code Compliance
<input type="checkbox"/> SS6338A0LP	No	No	No	No	Yes	Adaptable**
<input type="checkbox"/> SS6338A1LP	Yes	No	No	Yes	Yes	ADA, CA Title 24, WAC, HUD/FHA
<input type="checkbox"/> SS6338A2LP	No	No	Yes	No	Yes	ADA, CA Title 24, WAC, HUD/FHA
<input type="checkbox"/> SS6338A3LP	Yes	Yes	No	Yes	Yes	ADA, CA Title 24, WAC, ANSI, HUD/FHA

## No-Recess Threshold Model Configurations

Model Number	Pre-Installed L-Shaped Grab Bar	Pre-Installed 18" Vertical Grab Bar	Pre-Installed U-Shaped Grab Bar	Pre-Installed Folding Seat	Drain Block Out Required	Accessibility Code Compliance
<input type="checkbox"/> SS6338A0NR	No	No	No	No	Yes	Adaptable**
<input type="checkbox"/> SS6338A1NR	Yes	No	No	Yes	Yes	ADA, CA Title 24, WAC, HUD/FHA
<input type="checkbox"/> SS6338A2NR	No	No	Yes	No	Yes	ADA, CA Title 24, WAC, HUD/FHA
<input type="checkbox"/> SS6338A3NR	Yes	Yes	No	Yes	Yes	ADA, CA Title 24, WAC, ANSI, HUD/FHA

\*\*Model is reinforced and capable of meeting accessibility code requirements with proper field-installation of grab bars and seat

## Seat Placement (indicated by '-L' or '-R' following model number if applicable)\*

- Left Hand  Right Hand

\*Seat placement is determined as if outside the unit looking in. For clarity, a right hand model is shown in all drawings.

## Optional/Standalone Accessories†

<input type="checkbox"/> CR6001T	Thru-bolted Curtain Rod	<input type="checkbox"/> SB1800T	18" grab bar
<input type="checkbox"/> EF-7272-SC	Shower Curtain	<input type="checkbox"/> SB2400T	24" grab bar
<input type="checkbox"/> EF-0000-SD	Recessed Soap Dish	<input type="checkbox"/> LB30375T	30"x37.5" L-bar
<input type="checkbox"/> EF-0000-CCS	Composite Corner Shelf	<input type="checkbox"/> LS30225	30"x22.5" Folding seat
<input type="checkbox"/> EF-0000-SK	Shower Slide-Bar Kit	<input type="checkbox"/> EF-0060-ED	T-Shaped EverDam
<input type="checkbox"/> EF-0000-DA	Shower Drain		

†If applicable, please select accessory style and finish from options below. If non-standard accessory is selected, please also indicate desired location(s) on drawing.

## Accessory Style

- Thu-bolted (Standard)  
 Flanged  
 Anti-ligature



Affordable Housing  
**SHOWERS.com**  
 by ORCA HealthCare

[www.affordablehousingshowers.com](http://www.affordablehousingshowers.com)

Quotes and inquiries:

1-888-286-8030

info@affordablehousingshowers.com

## Accessory Finish

- Satin Stainless (Standard)  
 Matte Black  
 Polished Stainless  
 White  
 Custom, please specify: