

Project Name		Customer Name	
Quote Number		Date	
Customization			

### Standard Features

<b>Type</b>	One-piece bathtub with above floor plumbing
<b>Color</b>	White
<b>Exterior Dimensions</b>	54"W x 30-1/4"D x 19-1/4"H
<b>Materials</b>	Gel coat and fiberglass composite
<b>Approximate Weight</b>	65 lbs

### Certifications and Accessibility Code Compliance



Uniform Plumbing Code



CSA B45.5-11 / IAPMO Z124-2017



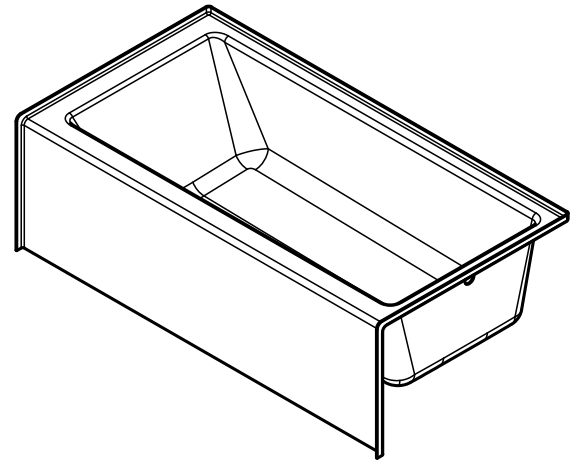
ADA

**ANSI**

ICC A117.1 - 2017 ANSI Type A

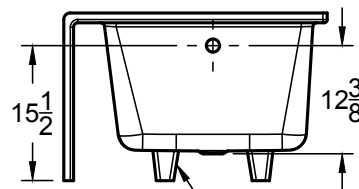
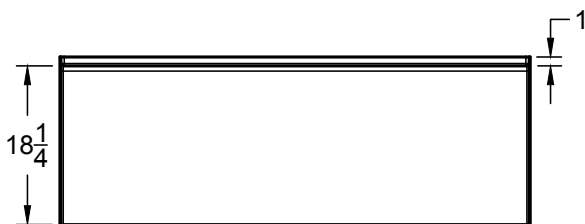
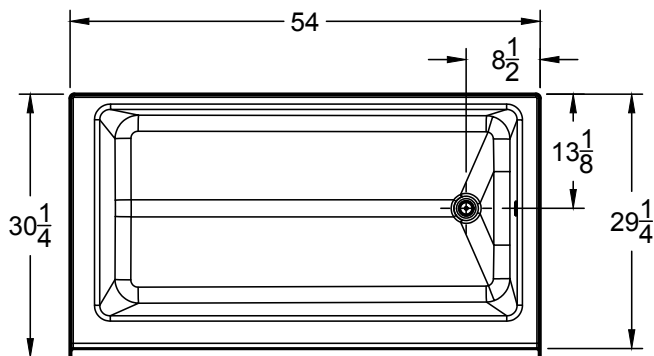


CA Title 24 Chapter 11A



### Warranty

30 Year Limited



Reinforcing Bottom Plate

**Affordable Housing SHOWERS.com**  
 by ORCA HealthCare  
[www.affordablehousingshowers.com](http://www.affordablehousingshowers.com)  
**Quotes and inquiries:**  
 1-888-286-8030  
[info@affordablehousingshowers.com](mailto:info@affordablehousingshowers.com)

## Architectural Specifications

A. Bathtub:

1. Model: No. T5429A0-L/R
2. Description: One-piece bath tub with reinforcing bottom plate, above floor plumbing, and slip-resistant floor. Skirt height allows for field installation of ADA compliant seat
3. Exterior dimensions: 54 inches wide x 30-1/4 inches deep x 19-1/4 inches high
4. Optional Accessories: Furnish with [Wall Hung Seat]

## Drain Placement (indicated by '-L' or '-R' following model number if applicable)\*

Left Hand

Right Hand

*\*Drain placement is determined as if outside the unit looking in. For clarity, a right hand model is shown in all drawings.*

## Optional/Standalone Accessories†

RS2816 28" x 16" Wall Hung Seat



Affordable Housing  
**SHOWERS.com**  
by ORCA HealthCare

[www.affordablehousingshowers.com](http://www.affordablehousingshowers.com)

Quotes and inquiries:

1-888-286-8030

info@affordablehousingshowers.com