

Project Name		Customer Name	
Quote Number		Date	
Customization			

### Standard Features

<b>Type</b>	One-piece bathtub with above floor plumbing
<b>Color</b>	White
<b>Exterior Dimensions</b>	60"W x 32"D x 19-1/4"H
<b>Materials</b>	Gel coat and fiberglass composite
<b>Approximate Weight</b>	75 lbs

### Certifications and Accessibility Code Compliance



Uniform Plumbing Code



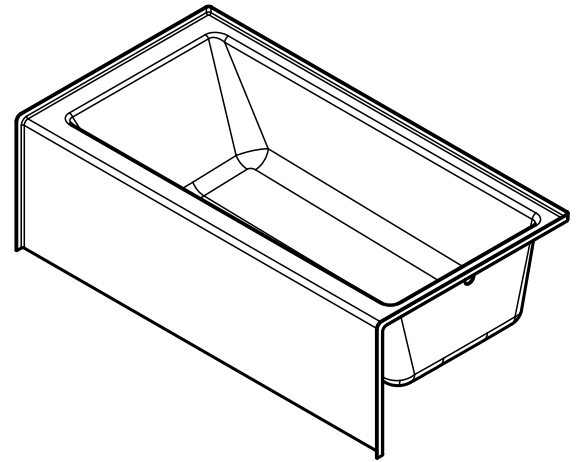
CSA B45.5-11 / IAPMO Z124-2017



ADA

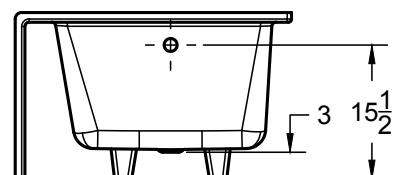
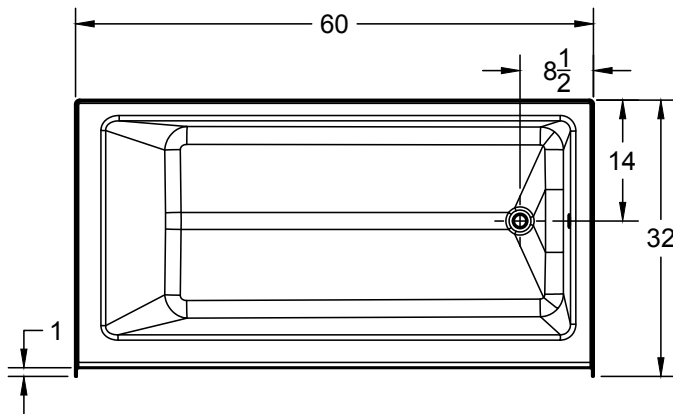
**ANSI**

ICC A117.1 - 2017 ANSI Type A



### Warranty

30 Year Limited



Reinforcing Bottom Plate

**Affordable Housing SHOWERS.com**  
by ORCA HealthCare  
[www.affordablehousingshowers.com](http://www.affordablehousingshowers.com)  
Quotes and inquiries:  
1-888-286-8030  
info@affordablehousingshowers.com

## Architectural Specifications

### A. Bathtub:

1. Model: No. T6032A0-L/R
2. Description: One-piece bath tub with reinforcing bottom plate, above floor plumbing, and slip-resistant floor. Skirt height allows for field installation of ADA compliant seat
3. Exterior dimensions: 60 inches wide x 32 inches deep x 19-1/4 inches high
4. Optional Accessories: Furnish with **[Wall Hung Seat]**

## Drain Placement (indicated by '-L' or '-R' following model number if applicable)\*

Left Hand

Right Hand

*\*Seat placement is determined as if outside the unit looking in. For clarity, a right hand model is shown in all drawings.*

## Optional/Standalone Accessories†

**RS2816**      28" x 16" Wall Hung Seat


  
Affordable Housing  
**SHOWERS.com**  
by ORCA HealthCare  
[www.affordablehousingshowers.com](http://www.affordablehousingshowers.com)  
**Quotes and inquiries:**  
1-888-286-8030  
info@affordablehousingshowers.com