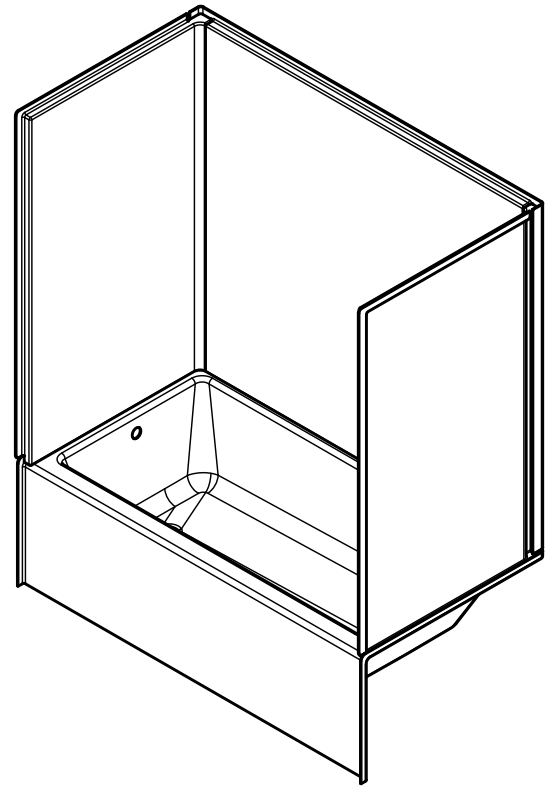


Project Name		Customer Name	
Quote Number		Date	
Customization			

### Standard Features

<b>Type</b>	Four-piece tub-shower stall with above floor plumbing. Available in left or right hand configuration.
<b>Color</b>	White
<b>Exterior Dimensions</b>	60"W x 32"D x 72"H
<b>Materials</b>	Gel coat and fiberglass composite
<b>Approximate Weight</b>	135 lbs



### Certifications and Accessibility Code Compliance



Uniform Plumbing Code



CSA B45.5-11 / IAPMO Z124-2017



ADA



HUD / FHA

**ANSI**

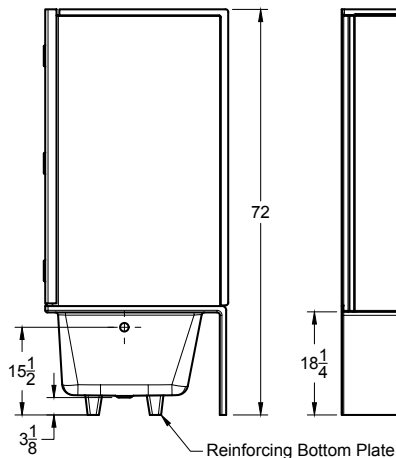
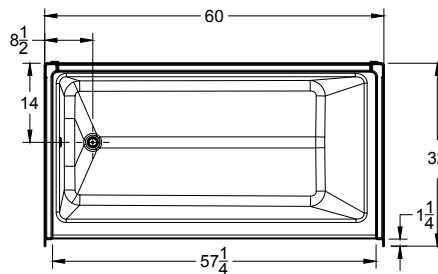
ICC A117.1 - 2017  
ANSI Type A

### Warranty

30 Year Limited

### Reinforcement

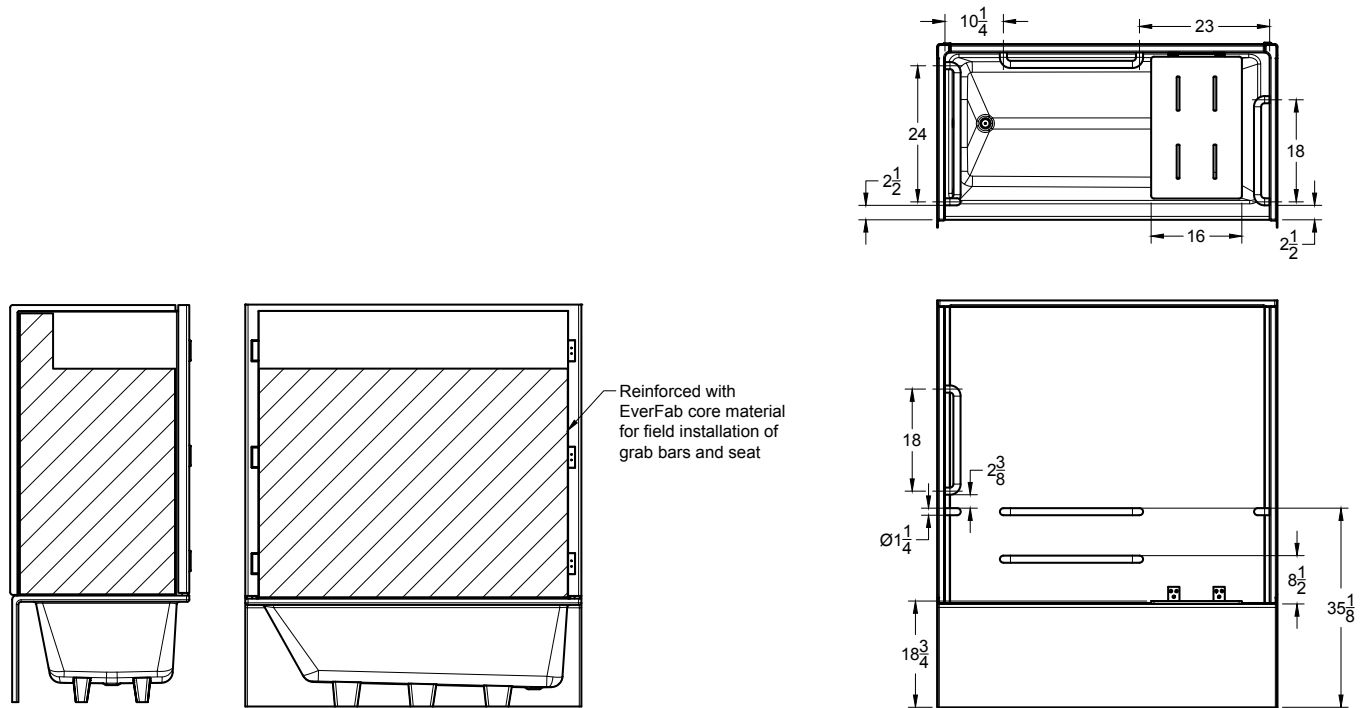
Fully reinforced with EverFab's unique composite core material which allows for factory or field installation of ADA compliant grab bars and seat



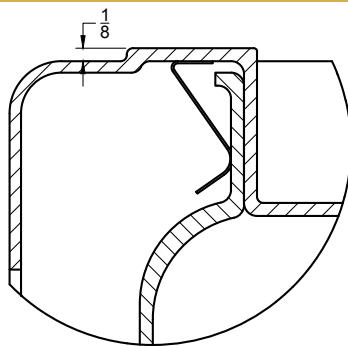
[www.affordablehousingshowers.com](http://www.affordablehousingshowers.com)  
**Quotes and inquiries:**  
 1-888-286-8030  
[info@affordablehousingshowers.com](mailto:info@affordablehousingshowers.com)

Due to the nature of the material, all measurements may vary by  $\pm 3/8"$ .  
 Dimensions needed for site preparation should be measured from the unit.

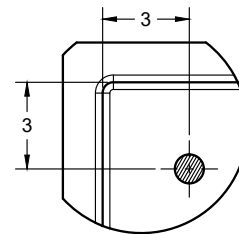
## Reinforcement and Accessory Locations



## Detailed Views



Wall Joint



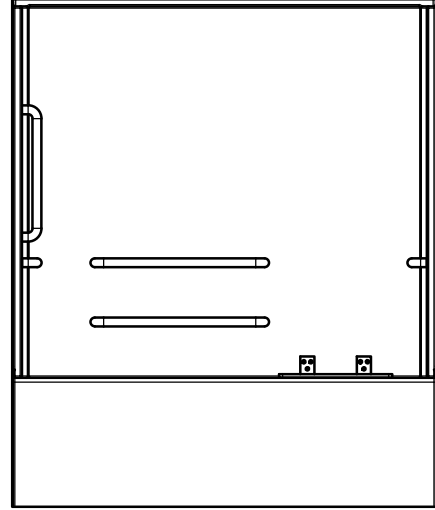
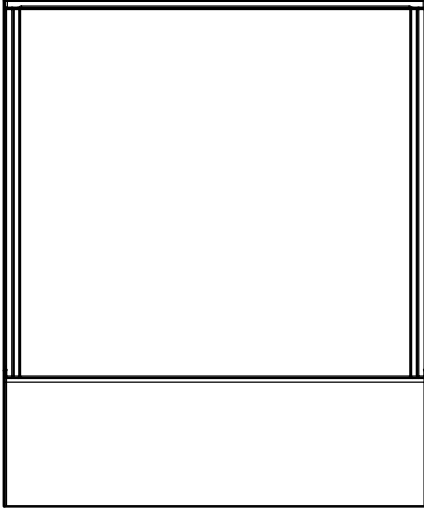
Standard Curtain Rod Location

## Architectural Specifications

### A. Shower Stall:

1. Model: No. TS6032MA-L/R
2. Description: Four-piece tub-shower stall with reinforcing bottom plate, slip-resistant floor, and inorganic composite reinforcement for placement of grab bars and seat
3. Exterior dimensions: 60 inches wide x 32 inches deep x 72 inches high
4. Rough-in: +1/8" -0" nominal dimensions
5. Optional Accessories: Furnish with [curtain rod], [shower curtain], [recessed soap dish], [composite corner shelf], [shower slide-bar kit], [EverFab tub-wrap], [shower drain], [18" grab bar], [24" grab bar], [folding seat]. If applicable, please indicate location of additional accessories on drawing
6. Accessory Style: [A0 - No Accessories], [A1]
7. Accessory Finish: [A0 - No Accessories], [Standard Satin Stainless], [Matte Black], [Polished Stainless] [White], [Custom]

## ADA Configurations



**TS6032MA0-L**

No Accessories

**TS6032MA1-L**

[3] 24" Horizontal Grab Bars

18" Horizontal Grab Bar

18" Vertical Grab Bar

Seat

Model Number	(3) Pre-Installed 18-24" Horizontal Grab Bars	Pre-Installed 18" Vertical Grab Bar	Pre-Installed Folding Seat	Accessibility Code Compliance
<input type="checkbox"/> TS6032MA0	No	No	No	Adaptable**
<input type="checkbox"/> TS6032MA1	Yes	Yes	Yes	ADA, HUD/FHA, ANSI

*\*\*Model is reinforced and capable of meeting accessibility code requirements with proper field-installation of grab bars and seat*

## Optional/Standalone Accessories†

- EF-0000-SD Recessed Soap Dish
- EF-0000-CCS Composite Corner Shelf
- EF-0000-SK Shower Slide-Bar Kit
- SB1800T 18" grab bar
- SB2400T 24" grab bar
- RS2816 28" x 16" Wall Hung Seat

*†If applicable, please select accessory style and finish from options below. If non-standard accessory is selected, please also indicate desired location(s) on drawing.*

### Accessory Style

- Thu-bolted (Standard)
- Flanged
- Anti-ligature

### Accessory Finish

- Satin Stainless (Standard)
- Matte Black
- Polished Stainless
- White
- Custom, please specify:



Affordable Housing  
**SHOWERS.com**  
by ORCA HealthCare

[www.affordablehousingshowers.com](http://www.affordablehousingshowers.com)

Quotes and inquiries:

1-888-286-8030

info@affordablehousingshowers.com