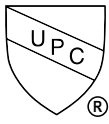


Project Name		Customer Name	
Quote Number		Date	
Customization			

## Standard Features

<b>Type</b>	One-piece tub-shower stall with above floor plumbing and simulated 6"x24" tiles
<b>Color</b>	White
<b>Exterior Dimensions</b>	60"W x 32"D x 74-1/2"H
<b>Materials</b>	Gel coat and fiberglass composite
<b>Approximate Weight</b>	130 lbs

## Certifications and Accessibility Code Compliance



Uniform Plumbing Code



CSA B45.5-11 / IAPMO Z124-2017



ADA



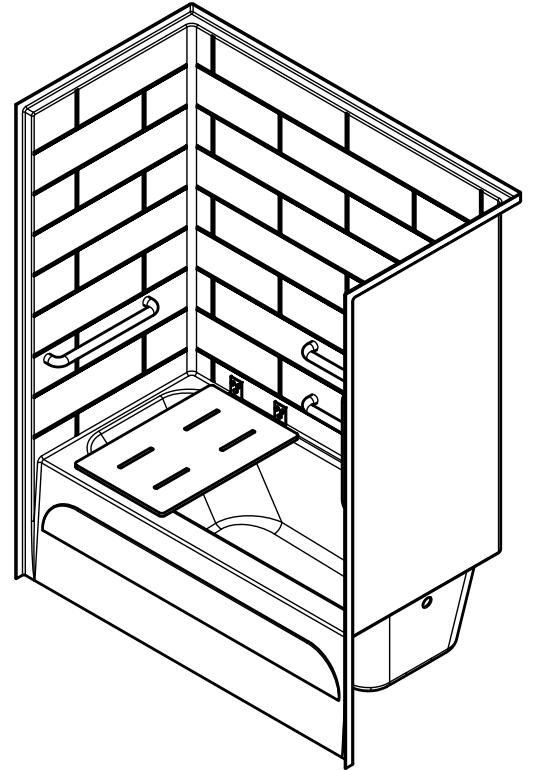
HUD / FHA



CA Title 24 Chapter 11A

**ANSI**

ICC A117.1 - 2017 ANSI Type A

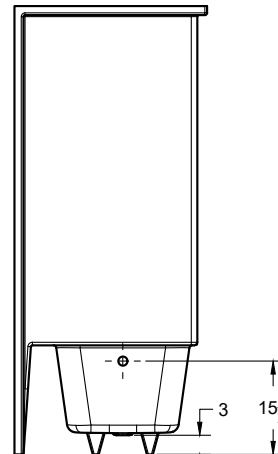
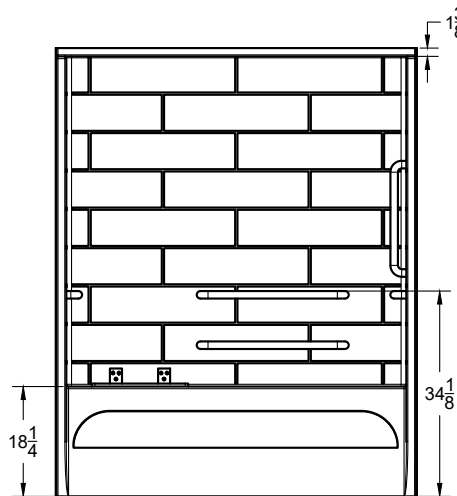
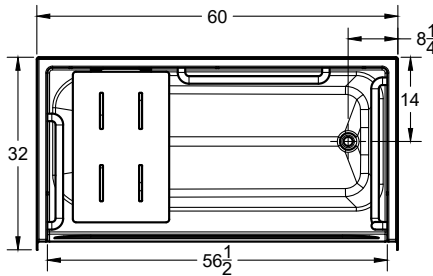


## Warranty

30 Year Limited

## Reinforcement

Fully reinforced with EverFab's unique composite core material which allows for factory or field installation of ADA compliant grab bars and seat



Affordable Housing  
**SHOWERS.com**  
 by ORCA HealthCare

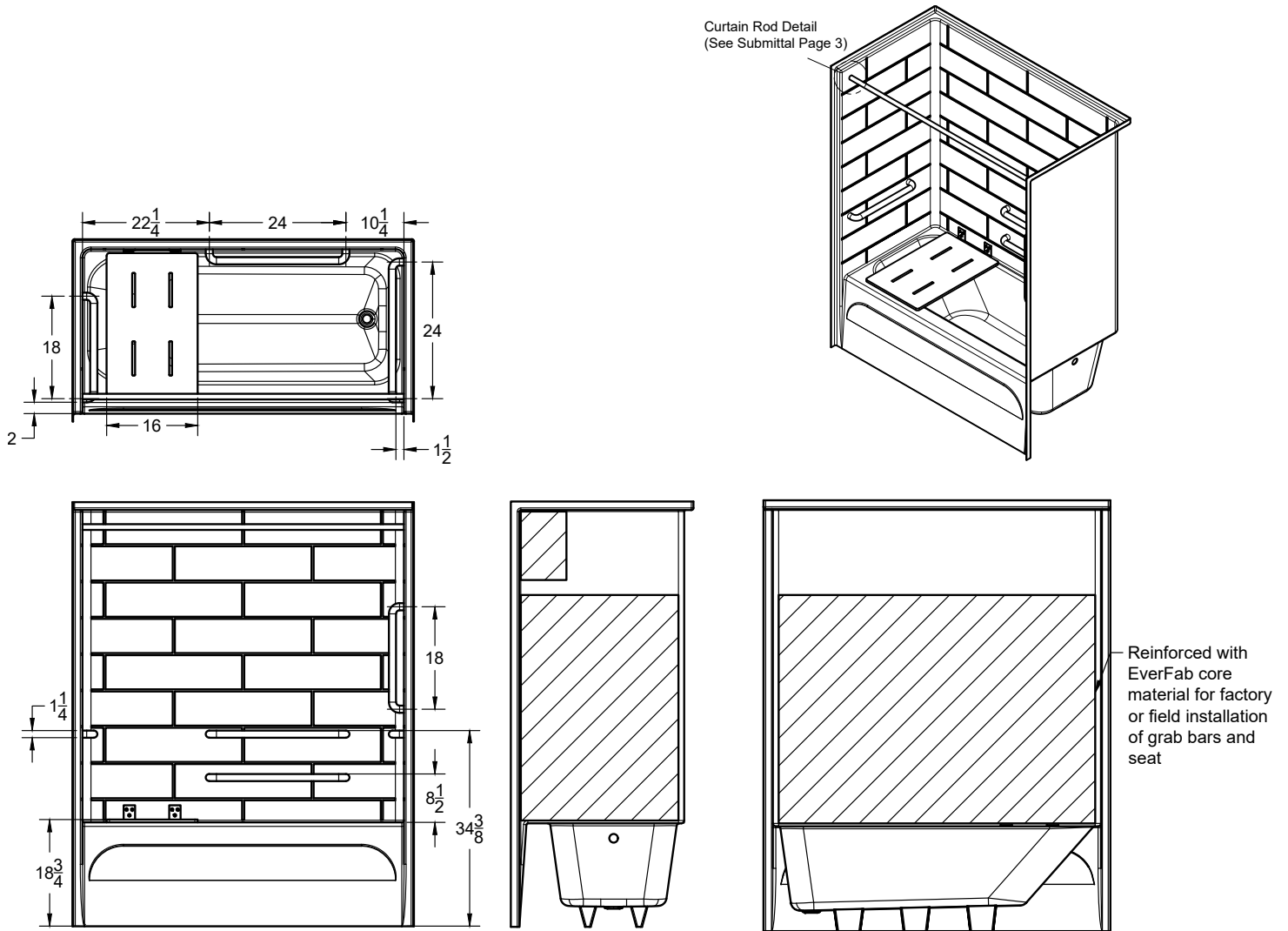
[www.affordablehousingshowers.com](http://www.affordablehousingshowers.com)

Quotes and inquiries:

1-888-286-8030

info@affordablehousingshowers.com

## ADA Accessory Dimensions

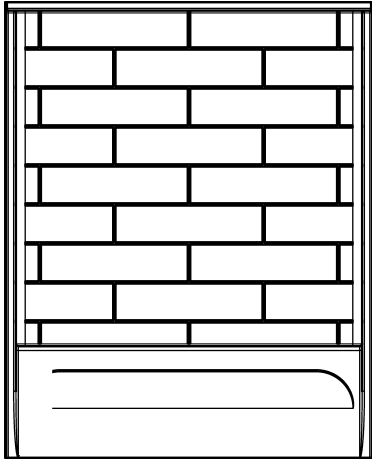


## Architectural Specifications

### A. Shower Stall:

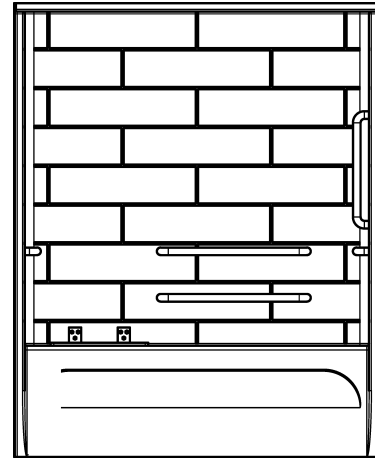
1. Model: No. TS6032T624A
2. Description: One-piece tub-shower stall with reinforcing bottom plate, slip-resistant floor, 6"x24" simulated tile, and inorganic composite reinforcement for placement of grab bars and seat
3. Exterior dimensions: 60 inches wide x 32 inches deep x 74-1/2 inches high
4. Rough-in: +1/8" -0" nominal dimensions
5. Optional Accessories: Furnish with [curtain rod], [shower curtain], [recessed soap dish], [composite corner shelf], [shower slide-bar kit], [EverFab tub-wrap], [shower drain], [18" grab bar], [24" grab bar], [folding seat]. If applicable, please indicate location of additional accessories on drawing
6. Accessory Style: [A0 - No Accessories], [Standard Thru-Bolted], [Flanged], [Elite Series], [Anti-Ligature], [Custom]
7. Accessory Finish: [A0 - No Accessories], [Standard Satin Stainless], [Matte Black], [Polished Stainless] [White], [Custom]

#### ADA Accessory Configurations (number following 'A' indicates configuration)



**TS6032T624A0-R**

No Accessories



**TS6032T624A1-R**

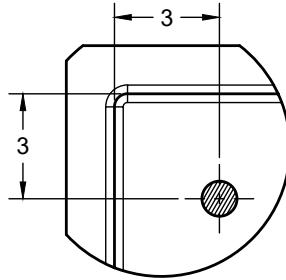
[3] 24" horizontal grab bars

18" horizontal grab bar

18" vertical grab bar

Seat

#### Additional Details



Standard Curtain Rod Location

## Model Configurations

Model Number	(3) Pre-Installed 24" Horizontal Grab Bars	Pre-Installed 18" Horizontal Grab Bar	Pre-Installed 18" Vertical Grab Bar	Pre-Installed Folding Seat	Accessibility Code Compliance
<input type="checkbox"/> TS6032T624A0	No	No	No	No	Adaptable**
<input type="checkbox"/> TS6032T624A1	Yes	Yes	Yes	Yes	ADA, ANSI A117.1, CA Title 24, HUD /FHA

\*\*Model is reinforced and capable of meeting accessibility code requirements with proper field-installation of grab bars and seat

## Drain Placement (indicated by '-L' or '-R' following model number if applicable)\*

- Left Hand  Right Hand

\*Drain placement is determined as if outside the unit looking in. For clarity, a right hand model is shown in all drawings.

## Optional/Standalone Accessories†

<input type="checkbox"/> CR56501T	Thru-bolted Curtain Rod	<input type="checkbox"/> SB2400T	24" grab bar
<input type="checkbox"/> EF-7272-SC	Shower Curtain	<input type="checkbox"/> RS2816	28" x 16" Wall Hung Seat
<input type="checkbox"/> EF-0000-SD	Recessed Soap Dish		
<input type="checkbox"/> EF-0000-CCS	Composite Corner Shelf		
<input type="checkbox"/> EF-0000-SK	Shower Slide-Bar Kit		
<input type="checkbox"/> SB1800T	18" grab bar		

†If applicable, please select accessory style and finish from options below. If non-standard accessory is selected, please also indicate desired location(s) on drawing.

## Accessory Style

- Thu-bolted (Standard)  
 Flanged  
 Anti-ligature

## Accessory Finish

- Satin Stainless (Standard)  
 Matte Black  
 Polished Stainless  
 White  
 Custom, please specify:



Affordable Housing  
**SHOWERS.com**  
 by ORCA HealthCare

[www.affordablehousingshowers.com](http://www.affordablehousingshowers.com)

Quotes and inquiries:

1-888-286-8030

info@affordablehousingshowers.com