

Project Name		Customer Name	
Quote Number		Date	
Customization			

## Standard Features

<b>Type</b>	Four-piece tub-shower stall with above floor plumbing. Available in left or right hand configuration.
<b>Color</b>	White
<b>Exterior Dimensions</b>	54"W x 30-1/4"D x 74-3/4"H
<b>Materials</b>	Gel coat and fiberglass composite
<b>Approximate Weight</b>	120 lbs

## Certifications and Accessibility Code Compliance



Uniform Plumbing Code



CSA B45.5-11 / IAPMO Z124-2017



ADA

ANSI

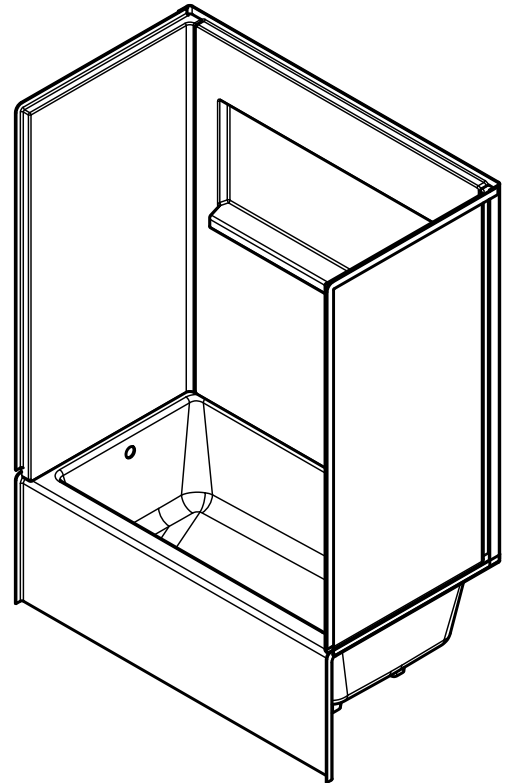
ICC A117.1 - 2017 ANSI Type A



California Title 24 Chapter 11A



HUD / FHA

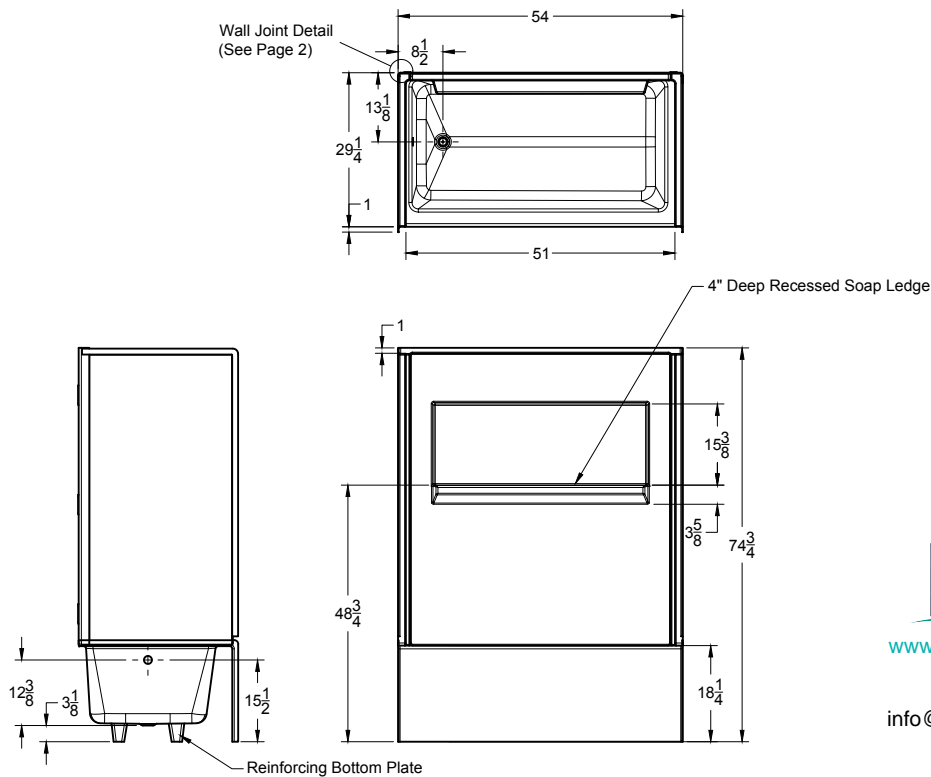


## Warranty

30 Year Limited

## Reinforcement

Fully reinforced with EverFab's unique composite core material which allows for factory or field installation of ADA compliant grab bars and seat



Affordable Housing  
**SHOWERS.com**  
by ORCA HealthCare

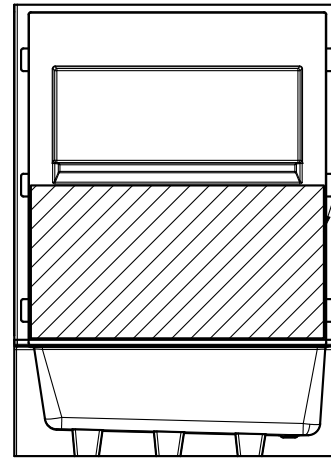
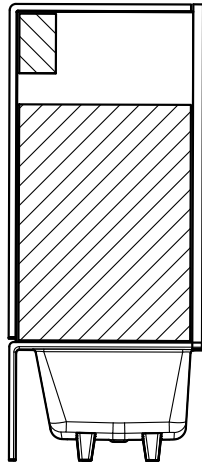
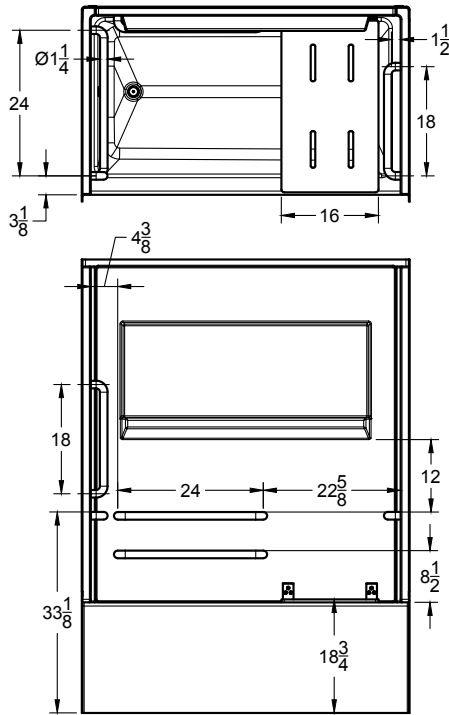
[www.affordablehousingshowers.com](http://www.affordablehousingshowers.com)

Quotes and inquiries:

1-888-286-8030

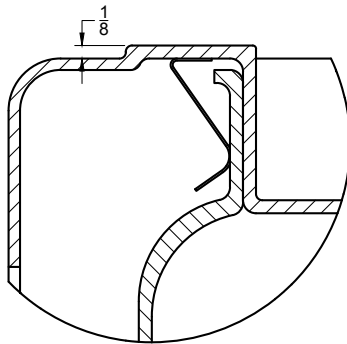
info@affordablehousingshowers.com

## Accessibility Information



Reinforced with EverFab core material for factory or field installation of grab bars and seat

## Detailed Views



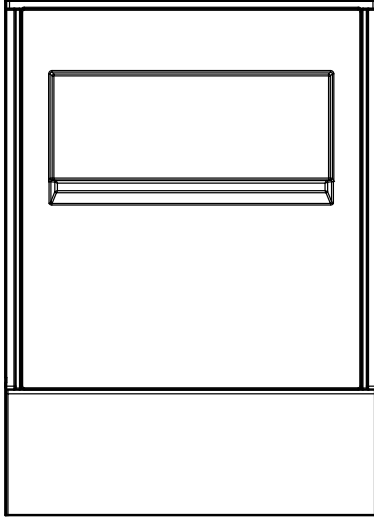
Wall Joint

## Architectural Specifications

### A. Shower Stall:

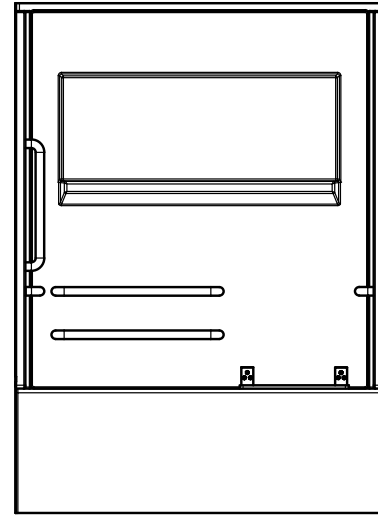
1. Model: No. TSS5429MA-L/R
2. Description: Four-piece tub-shower stall with reinforcing bottom plate, slip-resistant floor, and inorganic composite reinforcement
3. Exterior dimensions: 54 inches wide x 30 - 1/4 inches deep x 74 - 3/4 inches high
4. Rough-in: +1/8" -0" nominal dimensions
5. Optional Accessories: Furnish with [shower slide-bar kit], [EverFab tub-wrap], [shower drain], [18" grab bar], [24" grab bar]. If applicable, please indicate location of additional accessories on drawing
6. Accessory Style: [A0 - No Accessories], [Standard Thru-Bolted], [Flanged], [Elite Series] [Anti-Ligature], [Custom]
7. Accessory Finish: [A0 - No Accessories], [Standard Satin Stainless], [Matte Black], [Polished Stainless] [White], [Custom]

## ADA Configurations



TSS5429MA0-L

No Accessories



TSS5429MA1-L

[3] 24" Horizontal Grab Bars

18" Horizontal Grab Bar

18" Vertical Grab Bar

Seat

## Model Configurations

Model Number	(3) Pre-Installed 18-24" Horizontal Grab Bars	Pre-Installed 18" Vertical Grab Bar	Pre-Installed Folding Seat	Accessibility Code Compliance
<input type="checkbox"/> TSS5429MA0	No	No	No	Adaptable**
<input type="checkbox"/> TSS5429MA1	Yes	Yes	Yes	ADA, HUD/FHA, ANSI

\*\*Model is reinforced and capable of meeting accessibility code requirements with proper field-installation of grab bars and seat

## Optional/Standalone Accessories†

<input type="checkbox"/> EF-0000-SK	Shower Slide-Bar Kit			
<input type="checkbox"/> SB1800T	18" grab bar			
<input type="checkbox"/> SB2400T	24" grab bar			
<input type="checkbox"/> RS2816	28" x 16" Wall Hung Seat			

†If applicable, please select accessory style and finish from options below. If non-standard accessory is selected, please also indicate desired location(s) on drawing.

## Accessory Style

- Thu-bolted (Standard)
- Flanged
- Anti-ligature



Affordable Housing  
**SHOWERS.com**  
 by ORCA HealthCare

[www.affordablehousingshowers.com](http://www.affordablehousingshowers.com)

Quotes and inquiries:  
 1-888-286-8030

[info@affordablehousingshowers.com](mailto:info@affordablehousingshowers.com)

## Accessory Finish

- Satin Stainless (Standard)
- Matte Black
- Polished Stainless
- White
- Custom, please specify: