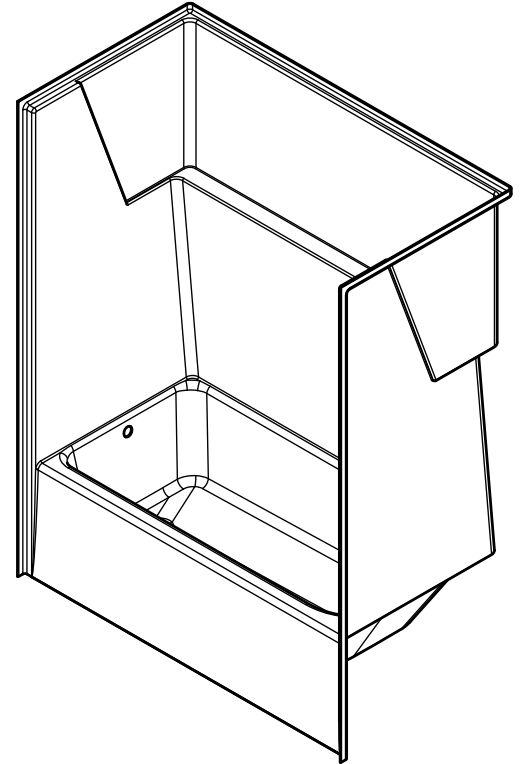


Project Name		Customer Name	
Quote Number		Date	
Customization			

### Standard Features

<b>Type</b>	One-piece tub-shower stall with shelf and above floor plumbing. Available in left or right hand configuration.
<b>Color</b>	White
<b>Exterior Dimensions</b>	60"W x 32"D x 76-1/4"H
<b>Materials</b>	Gel coat and fiberglass composite
<b>Approximate Weight</b>	130 lbs



### Certifications and Accessibility Code Compliance



Uniform Plumbing Code



CSA B45.5-11 / IAPMO Z124-2017



ADA



HUD / FHA



CA Title 24 Chapter 11A



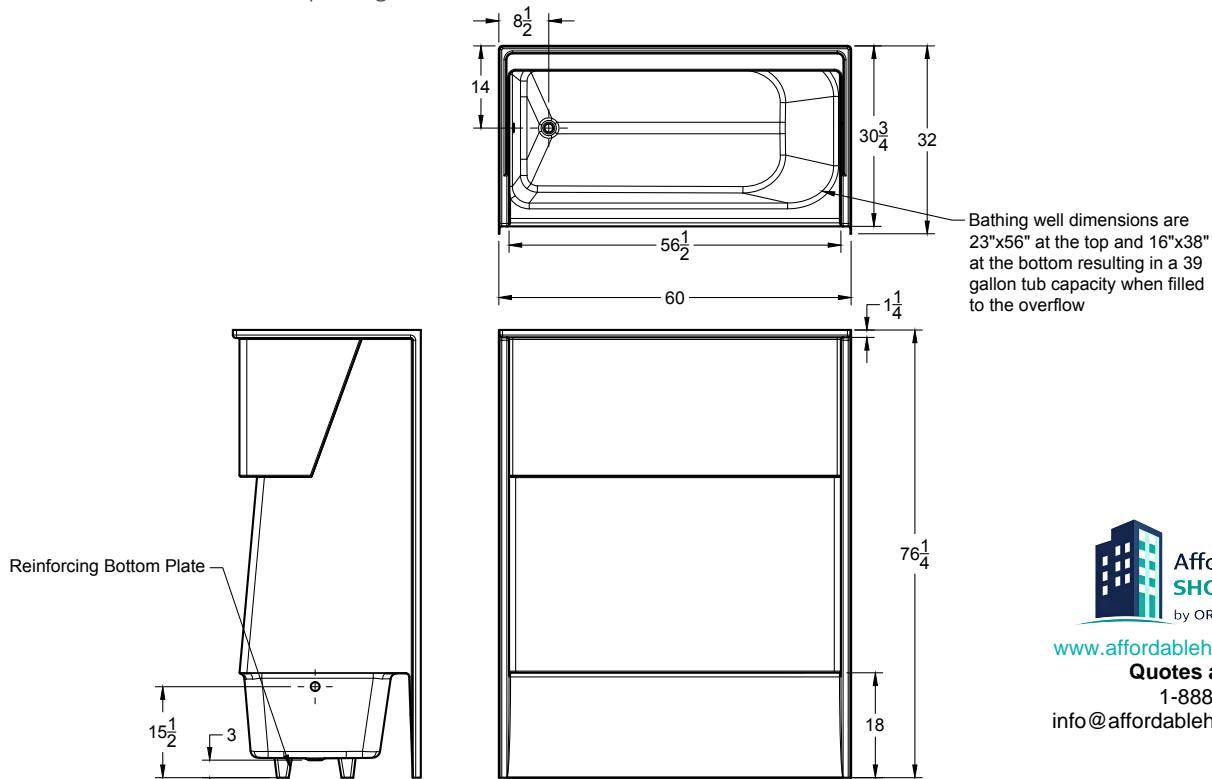
ICC A117.1 - 2017 ANSI Type A

### Warranty

30 Year Limited

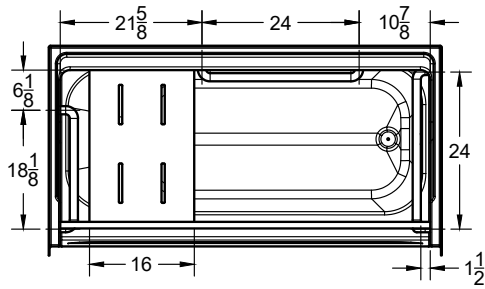
### Reinforcement

Fully reinforced with EverFab's unique composite core material which allows for factory or field installation of ADA compliant grab bars and seat

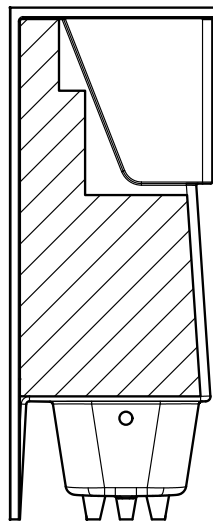
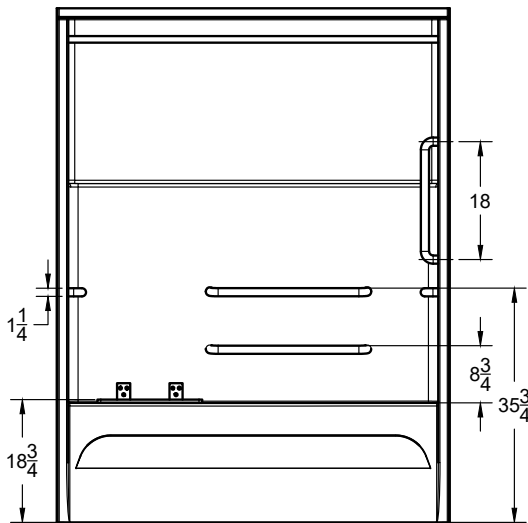
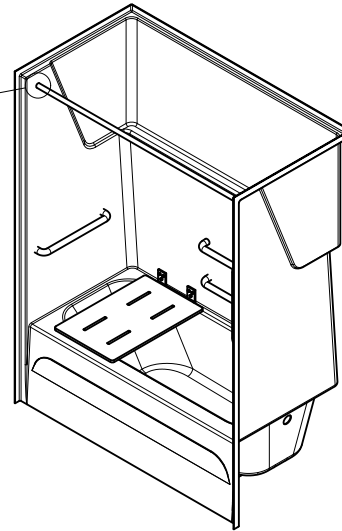


www.affordablehousingshowers.com  
Quotes and inquiries:  
1-888-286-8030  
info@affordablehousingshowers.com

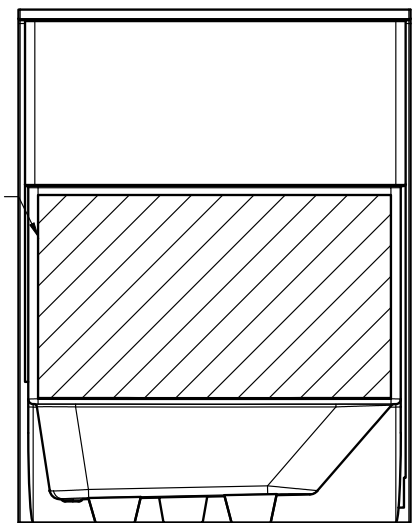
## ADA Accessory Dimensions



Curtain Rod Detail  
 (See Submittal  
 Page 3)



Reinforced with  
 EverFab core  
 material for  
 factory or field  
 installation of  
 grab bars and  
 seat

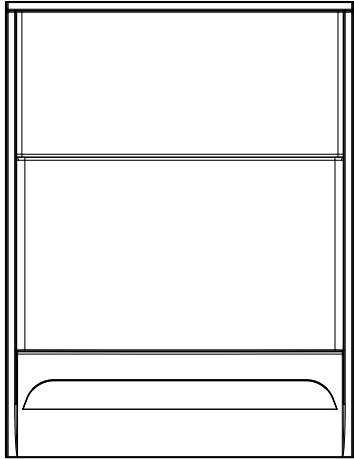


## Architectural Specifications

### A. Shower Stall:

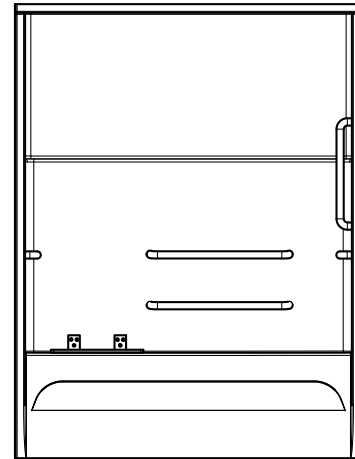
1. Model: No. TSS603276A-L/R
2. Description: One-piece tub-shower stall with reinforcing bottom plate, slip-resistant floor, soap ledge, and inorganic composite reinforcement for placement of grab bars and seat
3. Exterior dimensions: 60 inches wide x 32 inches deep x 76-1/4 inches high
4. Rough-in: +1/8" -0" nominal dimensions
5. Accessibility Accessories: [A0] [A1] [Custom] accessory configuration
6. Optional Accessories: Furnish with [curtain rod], [shower curtain], [recessed soap dish], [composite corner shelf], [shower slide-bar kit], [EverFab tub-wrap], [shower drain], [18" grab bar], [24" grab bar], [custom grab bar], [folding seat]. If applicable, please indicate location of additional accessories on drawing
7. Accessory Style: [A0 - No Accessories], [Standard Thru-Bolted], [Flanged], [Elite Series], [Anti-Ligature], [Custom]
8. Accessory Finish: [A0 - No Accessories], [Standard Satin Stainless], [Matte Black], [Polished Stainless] [White], [Custom]

**ADA Accessory Configurations (number following 'A' indicates configuration)**



**TSS603276A0-R**

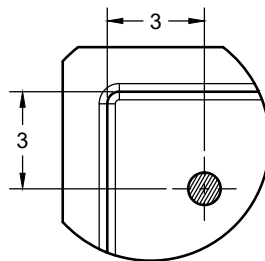
No Accessories



**TSS603276A1-R**

[3] 24" horizontal grab bars  
 18" horizontal grab bar  
 18" vertical grab bar  
 Seat

**Additional Details**



**Standard Curtain Rod Location**

## Model Configurations

Model Number	(3) Pre-Installed 24" Horizontal Grab Bars	Pre-Installed 18" Horizontal Grab Bar	Pre-Installed 18" Vertical Grab Bar	Pre-Installed Folding Seat	Accessibility Code Compliance
<input type="checkbox"/> TSS6032A0	No	No	No	No	Adaptable**
<input type="checkbox"/> TSS6032A1	Yes	Yes	Yes	Yes	ADA, ANSI A117.1, CA Title 24, HUD /FHA

\*\*Model is reinforced and capable of meeting accessibility code requirements with proper field-installation of grab bars and seat

## Drain Placement (indicated by '-L' or '-R' following model number if applicable)\*

- Left Hand  Right Hand

\*Drain placement is determined as if outside the unit looking in. For clarity, a right hand model is shown in all drawings.

## Optional/Standalone Accessories†

<input type="checkbox"/> CR56501T	Thru-bolted Curtain Rod	<input type="checkbox"/> SB2400T	24" grab bar
<input type="checkbox"/> EF-7272-SC	Shower Curtain	<input type="checkbox"/> RS2816	28" x 16" Wall Hung Seat
<input type="checkbox"/> EF-0000-SD	Recessed Soap Dish		
<input type="checkbox"/> EF-0000-CCS	Composite Corner Shelf		
<input type="checkbox"/> EF-0000-SK	Shower Slide-Bar Kit		
<input type="checkbox"/> SB1800T	18" grab bar		

†If applicable, please select accessory style and finish from options below. If non-standard accessory is selected, please also indicate desired location(s) on drawing.

### Accessory Style

- Thu-bolted (Standard)  
 Flanged  
 Anti-ligature

### Accessory Finish

- Satin Stainless (Standard)  
 Matte Black  
 Polished Stainless  
 White  
 Custom, please specify:



Affordable Housing  
**SHOWERS.com**  
 by ORCA HealthCare

[www.affordablehousingshowers.com](http://www.affordablehousingshowers.com)

Quotes and inquiries:

1-888-286-8030

info@affordablehousingshowers.com