

Project Name		Customer Name	
Quote Number		Date	
Customization			

Standard Features

Type	One-piece tub-shower stall with shelf and above floor plumbing. Available in left or right hand configuration.
Color	White
Exterior Dimensions	60"W x 32"D x 78-1/2"H
Materials	Gel coat and fiberglass composite
Approximate Weight	135 lbs

Certifications and Accessibility Code Compliance



Uniform Plumbing Code



CSA B45.5-11 / IAPMO Z124-2017



ADA



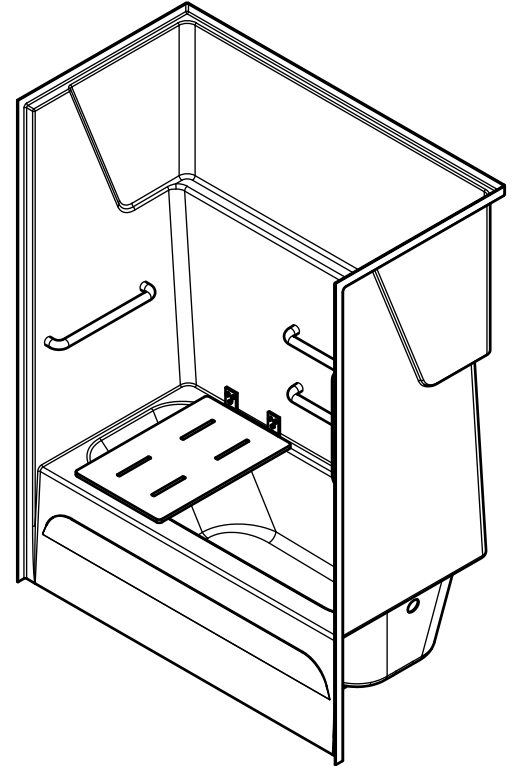
HUD / FHA



CA Title 24 Chapter 11A



ICC A117.1 - 2017 ANSI Type A

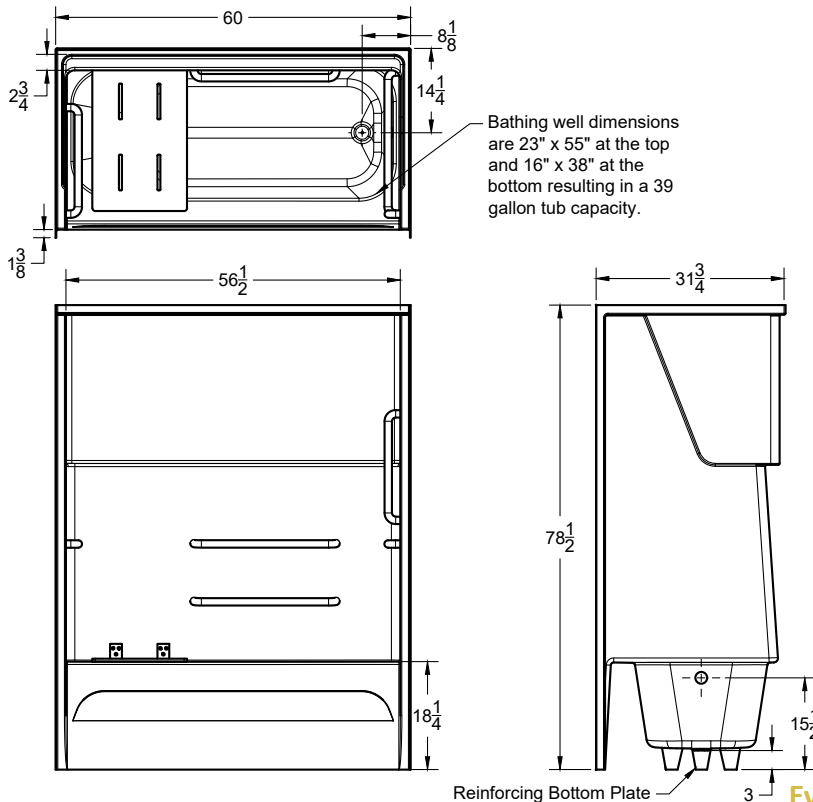


Warranty

30 Year Limited

Reinforcement

Fully reinforced with EverFab's unique composite core material which allows for factory or field installation of ADA compliant grab bars and seat



Affordable Housing
SHOWERS.com
by ORCA HealthCare

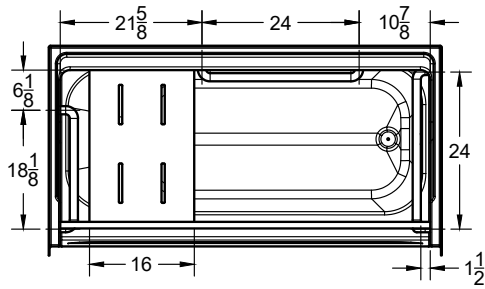
www.affordablehousingshowers.com

Quotes and inquiries:

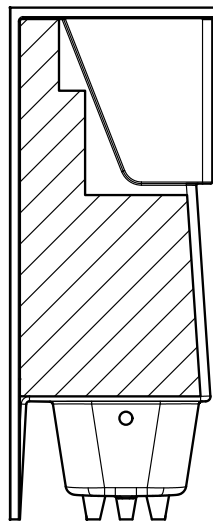
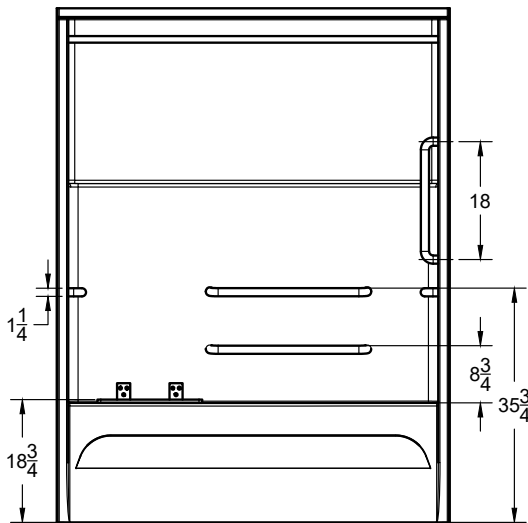
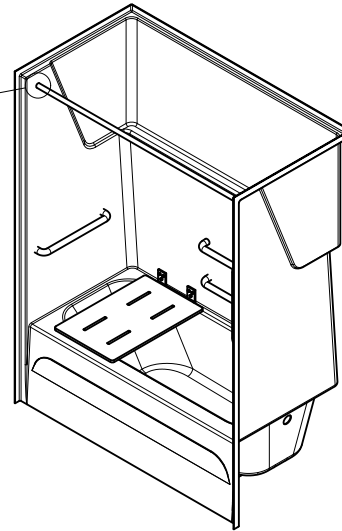
1-888-286-8030

info@affordablehousingshowers.com

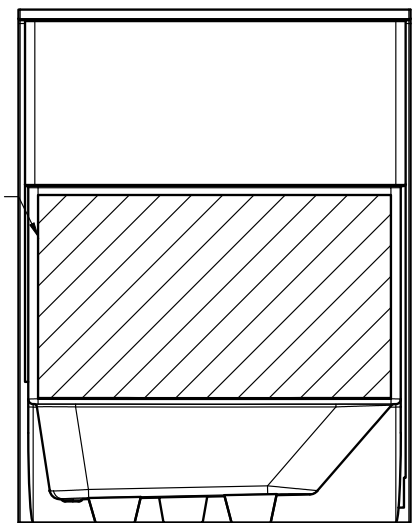
ADA Accessory Dimensions



Curtain Rod Detail
(See Submittal
Page 3)



Reinforced with
EverFab core
material for
factory or field
installation of
grab bars and
seat

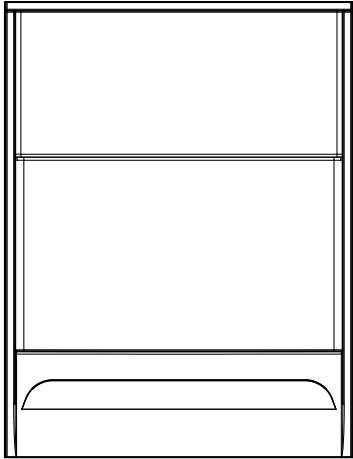


Architectural Specifications

A. Shower Stall:

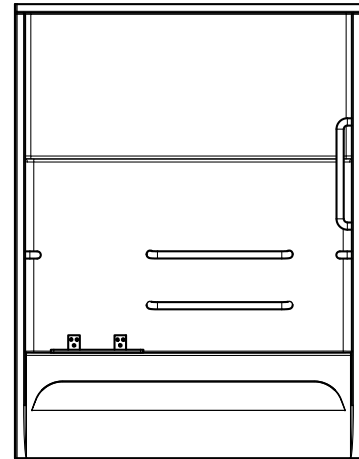
1. Model: No. TSS6032A-L/R
2. Description: One-piece tub-shower stall with reinforcing bottom plate, slip-resistant floor, soap ledge, and inorganic composite reinforcement for placement of grab bars and seat
3. Exterior dimensions: 60 inches wide x 32 inches deep x 78-1/2 inches high
4. Rough-in: +1/8" -0" nominal dimensions
5. Accessibility Accessories: [A0] [A1] [Custom] accessory configuration
6. Optional Accessories: Furnish with [curtain rod], [shower curtain], [recessed soap dish], [composite corner shelf], [shower slide-bar kit], [EverFab tub-wrap], [shower drain], [18" grab bar], [24" grab bar], [custom grab bar], [folding seat]. If applicable, please indicate location of additional accessories on drawing
7. Accessory Style: [A0 - No Accessories], [Standard Thru-Bolted], [Flanged], [Elite Series], [Anti-Ligature], [Custom]
8. Accessory Finish: [A0 - No Accessories], [Standard Satin Stainless], [Matte Black], [Polished Stainless] [White], [Custom]

ADA Accessory Configurations (number following 'A' indicates configuration)



TSS6032A0-R

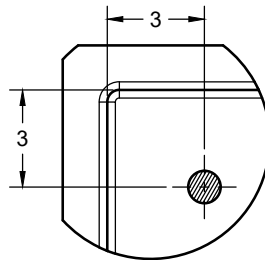
No Accessories



TSS6032A1-R

[3] 24" horizontal grab bars
 18" horizontal grab bar
 18" vertical grab bar
 Seat

Additional Details



Standard Curtain Rod Location

Model Configurations

Model Number	(3) Pre-Installed 24" Horizontal Grab Bars	Pre-Installed 18" Horizontal Grab Bar	Pre-Installed 18" Vertical Grab Bar	Pre-Installed Folding Seat	Accessibility Code Compliance
<input type="checkbox"/> TSS6032A0	No	No	No	No	Adaptable**
<input type="checkbox"/> TSS6032A1	Yes	Yes	Yes	Yes	ADA, ANSI A117.1, CA Title 24, HUD /FHA

**Model is reinforced and capable of meeting accessibility code requirements with proper field-installation of grab bars and seat

Drain Placement (indicated by '-L' or '-R' following model number if applicable)*

- Left Hand Right Hand

*Drain placement is determined as if outside the unit looking in. For clarity, a right hand model is shown in all drawings.

Optional/Standalone Accessories†

<input type="checkbox"/> CR56501T	Thru-bolted Curtain Rod	<input type="checkbox"/> SB2400T	24" grab bar
<input type="checkbox"/> EF-7272-SC	Shower Curtain	<input type="checkbox"/> RS2816	28" x 16" Wall Hung Seat
<input type="checkbox"/> EF-0000-SD	Recessed Soap Dish		
<input type="checkbox"/> EF-0000-CCS	Composite Corner Shelf		
<input type="checkbox"/> EF-0000-SK	Shower Slide-Bar Kit		
<input type="checkbox"/> SB1800T	18" grab bar		

†If applicable, please select accessory style and finish from options below. If non-standard accessory is selected, please also indicate desired location(s) on drawing.

Accessory Style

- Thru-bolted (Standard)
 Flanged
 Anti-ligature

Accessory Finish

- Satin Stainless (Standard)
 Matte Black
 Polished Stainless
 White
 Custom, please specify:



Affordable Housing
SHOWERS.com
 by ORCA HealthCare

www.affordablehousingshowers.com

Quotes and inquiries:

1-888-286-8030

info@affordablehousingshowers.com