

Project Name		Customer Name	
Quote Number		Date	
Customization			

Standard Features

Type	Four-piece tub-shower stall with above floor plumbing. Available in left or right hand configuration.
Color	White
Exterior Dimensions	60"W x 32"D x 74-3/4"H
Materials	Gel coat and fiberglass composite
Approximate Weight	140 lbs

Certifications and Accessibility Code Compliance



Uniform Plumbing Code



CSA B45.5-11 / IAPMO Z124-2017



ADA

ANSI

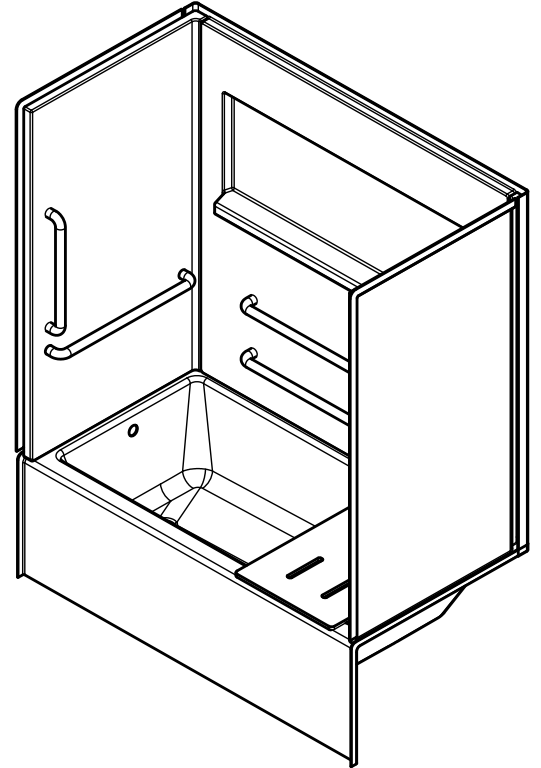
ICC A117.1 - 2017 ANSI Type A



California Title 24 Chapter 11A



HUD / FHA

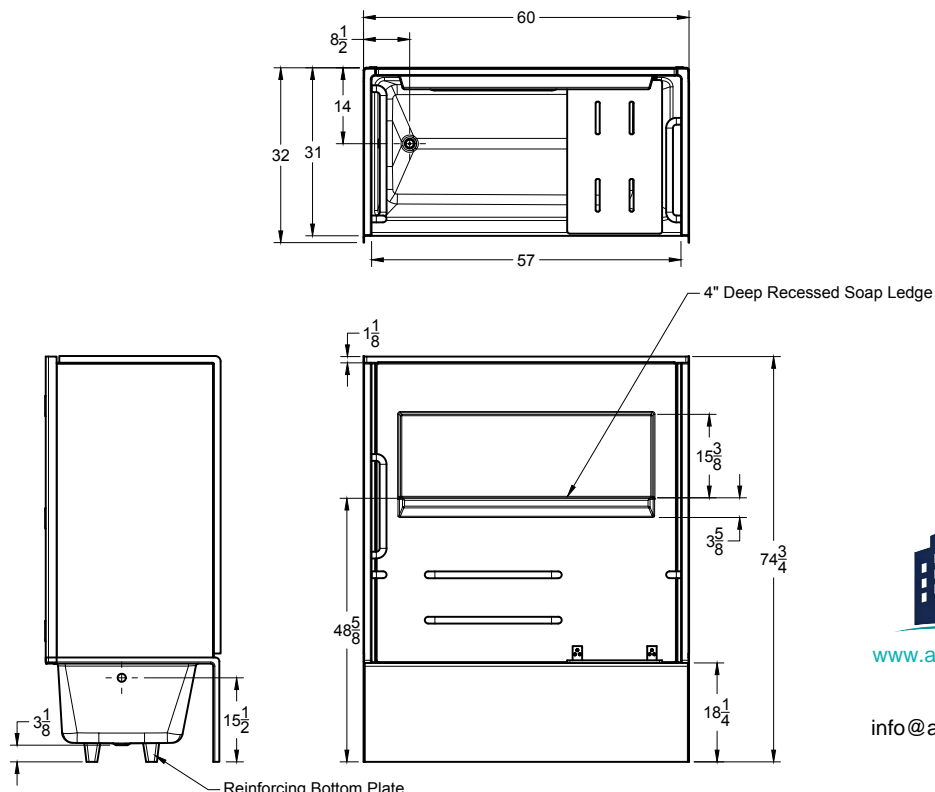


Warranty

30 Year Limited

Reinforcement

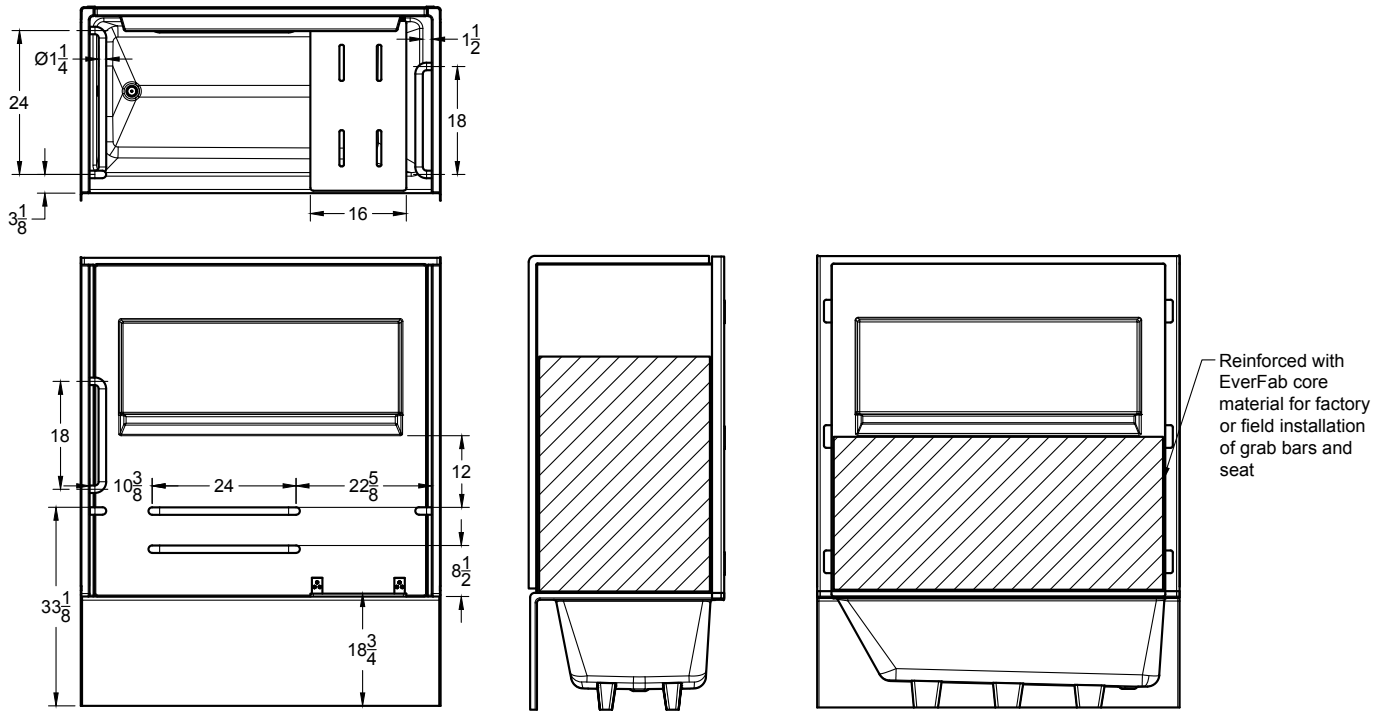
Fully reinforced with EverFab's unique composite core material which allows for factory or field installation of ADA compliant grab bars and seat



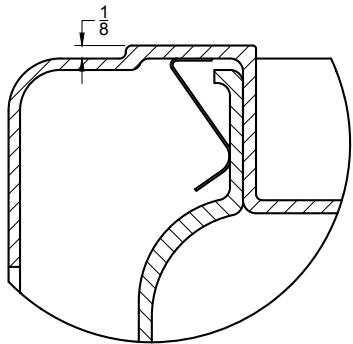
 Affordable Housing
SHOWERS.com
by ORCA HealthCare
www.affordablehousingshowers.com
Quotes and inquiries:
1-888-286-8030
info@affordablehousingshowers.com

Due to the nature of the material, all measurements may vary by $\pm 3/8"$.
Dimensions needed for site preparation should be measured from the unit.

Accessibility Information



Detailed Views



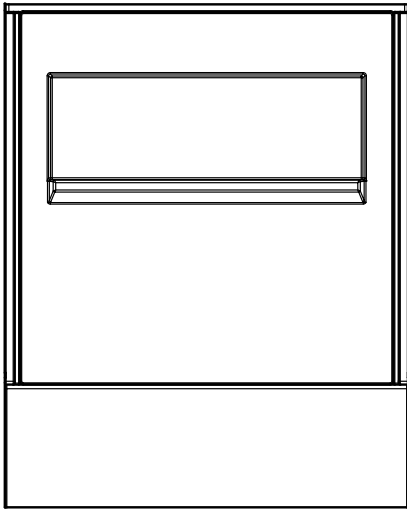
Wall Joint

Architectural Specifications

A. Shower Stall:

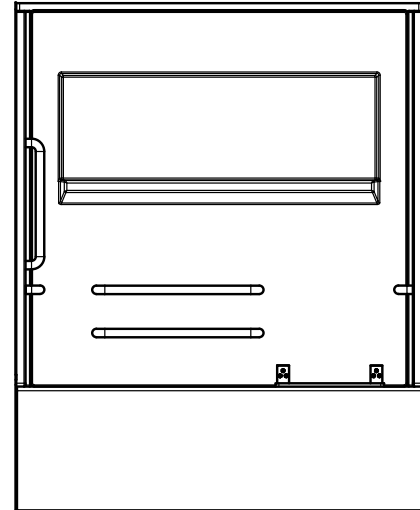
1. Model: No. TSS6032MA-L/R
2. Description: Four-piece tub-shower stall with reinforcing bottom plate, slip-resistant floor, and inorganic composite reinforcement
3. Exterior dimensions: 60 inches wide x 32 inches deep x 74 - 3/4 inches high
4. Rough-in: +1/8" -0" nominal dimensions
5. Optional Accessories: Furnish with [curtain rod], [shower curtain], [composite corner shelf], [shower slide-bar kit], [EverFab tub-wrap], [shower drain]. If applicable, please indicate location of additional accessories on drawing
6. Accessory Style: [A0 - No Accessories], [Standard Thru-Bolted], [Flanged], [Elite Series] [Anti-Ligature], [Custom]
7. Accessory Finish: [A0 - No Accessories], [Standard Satin Stainless], [Matte Black], [Polished Stainless] [White], [Custom]

ADA Configurations



TSS6032MA0-L

No Accessories



TSS6032MA1-L

[4] 18-24" horizontal grab bars

Seat

18" vertical grab bar

Model Configurations

Model Number	(3) Pre-Installed 18-24" Horizontal Grab Bars	Pre-Installed 18" Vertical Grab Bar	Pre-Installed Folding Seat	Accessibility Code Compliance
<input type="checkbox"/> TSS6032MA0	No	No	No	Adaptable**
<input type="checkbox"/> TSS6032MA1	Yes	Yes	Yes	ADA, HUD/FHA, ANSI

**Model is reinforced and capable of meeting accessibility code requirements with proper field-installation of grab bars and seat

Optional/Standalone Accessories†

<input type="checkbox"/> EF-0000-SD	Recessed Soap Dish			
<input type="checkbox"/> EF-0000-CCS	Composite Corner Shelf			
<input type="checkbox"/> EF-0000-SK	Shower Slide-Bar Kit			
<input type="checkbox"/> SB1800T	18" grab bar			
<input type="checkbox"/> SB2400T	24" grab bar			
<input type="checkbox"/> RS2816	28" x 16" Wall Hung Seat			

†If applicable, please select accessory style and finish from options below. If non-standard accessory is selected, please also indicate desired location(s) on drawing.

Accessory Style

- Thu-bolted (Standard)
- Flanged
- Anti-ligature

Accessory Finish

- Satin Stainless (Standard)
- Matte Black
- Polished Stainless
- White
- Custom, please specify:



Affordable Housing
SHOWERS.com
by ORCA HealthCare

www.affordablehousingshowers.com

Quotes and inquiries:

1-888-286-8030

info@affordablehousingshowers.com